

TECHNICAL DATA SHEET

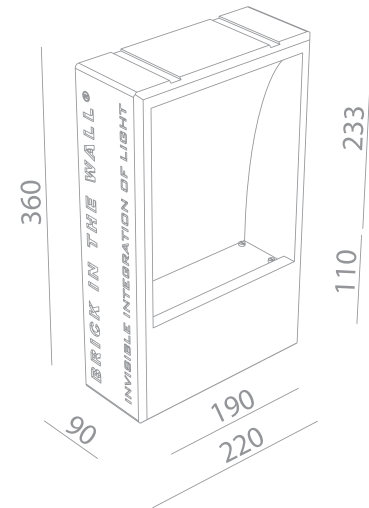
NORMALL IP20

INDOOR - INTERNO - INNENBEREICH - INTERIEUR - INTÉRIEUR - INTERIOR

Fix (not adjustable) 0° - 0°

□ 225x365 mm

Material : CALCYT® plaster



NORMALL LED WARMDIM 900LM 230VAC	
WARMDIM : DIMS FROM 3000°K TO 2000°K	
REF N° 105 73 600	phase DIM
REF N° 105 63 600	DIM 1-10V
REF N° 105 33 600	DIM DALI
230V/50Hz - 12,8W - incl. line voltage driver ◊ - parallel wiring ▽ (0.2m) E-CE-Ⓟ - 4 Step MacAdam - CRI 90 - B	

NORMALL LED 800LM 230VAC			
REF N°	2200°K	2700°K	3000°K
phase DIM	105 71 500	105 71 000	105 71 100
DIM 1-10V	105 61 500	105 61 000	105 61 100
DIM DALI	105 31 500	105 31 000	105 31 100
230V/50Hz - 9,3W - incl. line voltage driver ◊ - parallel wiring ▽ (0.2m) E-CE-Ⓟ - 2 Step MacAdam - CRI 90 - R9=75 - A			

NORMALL LED 1000LM 230VAC			
REF N°	2700°K	3000°K	4000°K
phase DIM	105 72 000	105 72 100	105 72 200
DIM 1-10V	105 62 000	105 62 100	105 62 200
DIM DALI	105 32 000	105 32 100	105 32 200
230V/50Hz - 11W - incl. line voltage driver ◊ - parallel wiring ▽ (0.2m) E-CE-Ⓟ - 2 Step MacAdam - CRI 90 - R9=75 - A			

NORMALL LED 2000LM 230VAC			
REF N°	2700°K	3000°K	4000°K
phase DIM	105 74 000	105 74 100	105 74 200
DIM 1-10V	105 64 000	105 64 100	105 64 200
DIM DALI	105 34 000	105 34 100	105 34 200
230V/50Hz - 14,1W - incl. line voltage driver ◊ - parallel wiring ▽ (0.2m) E-CE-Ⓟ - 2 Step MacAdam - CRI 80 - A+			

NORMALL HAL	
REF N° 105 01 060	
QT-DE - max 60 W - R7s (74.5mm) 230V/50Hz - ◊ - ▽ (0.5m) E-CE-Ⓟ - D	

NORMALL FLUO	
REF N° 105 01 026	
TC-DEL 26W - G24q-3 - 230V/50Hz ◊ - incl. EVG - ▽ (0.5m) E-CE-Ⓟ	

Ready for installation in solid walls
Optional plasterkit for installation into gypsum walls

PLASTERKIT NORMALL

REF N° 705 01 000 For mounting into gypsum walls

