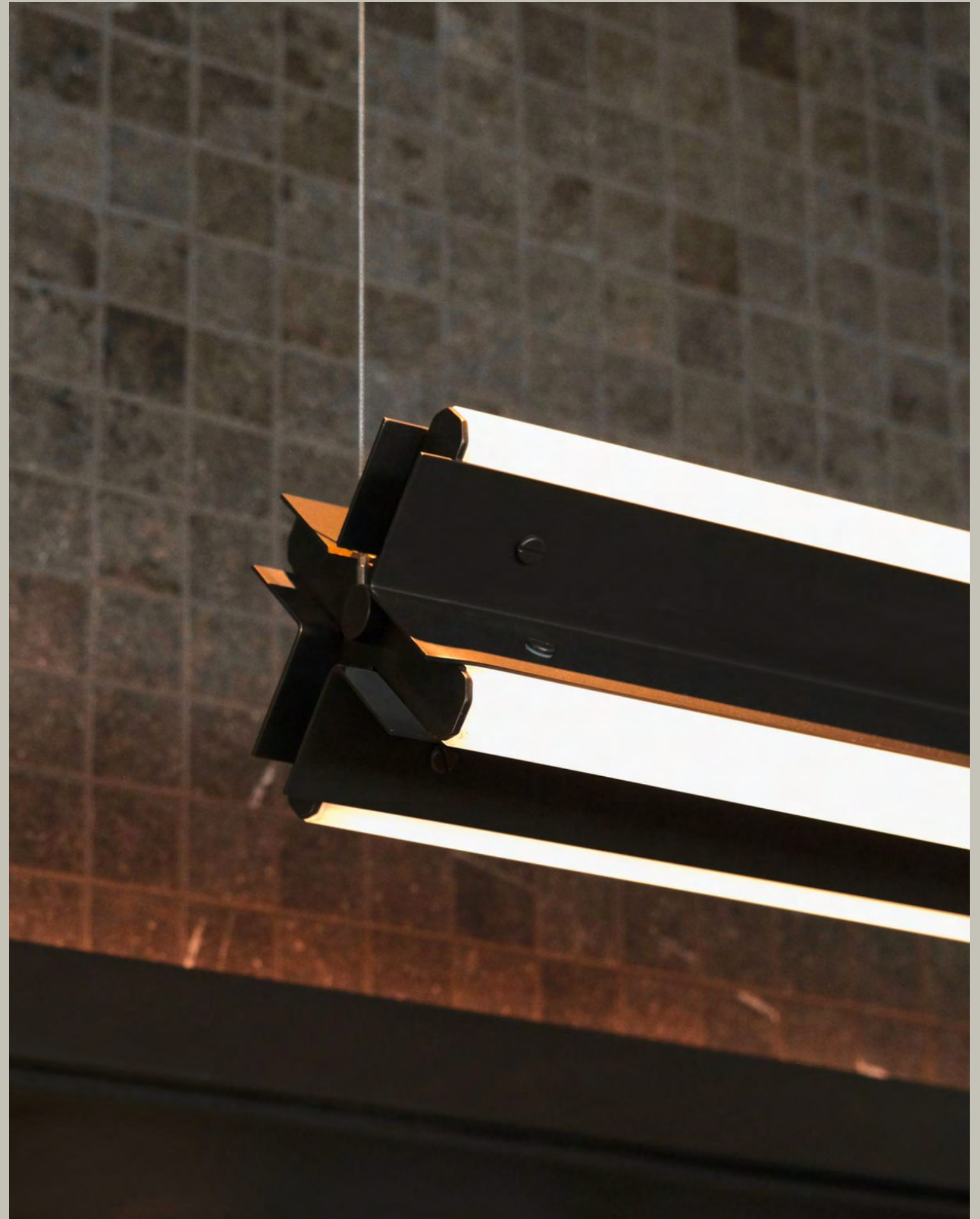


Copyright © 2015 Juniper Design, Inc.

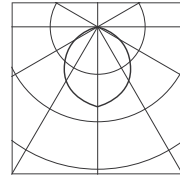


Copyright © 2015 Juniper Design, Inc.

OVERVIEW

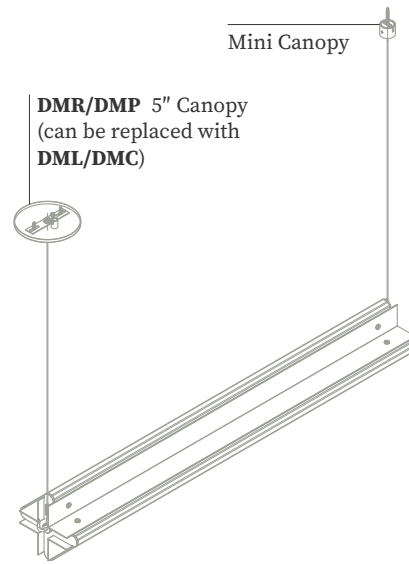
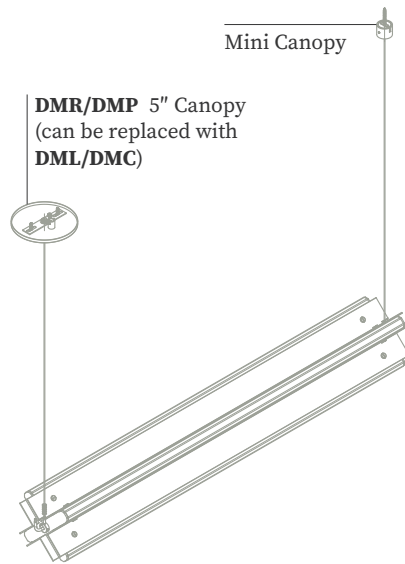


- Extruded brass, aluminum, and hardwood finishes radiating from a central channel
  - Angled profiles hold perpendicular arrays of light in X or P (Plus) configurations
  - 24 VDC output Class 2 constant voltage power supply
  - 120–277 VAC input voltage
  - Dimming options: Forward Phase (TRIAC), Reverse Phase (ELV), or 0–10 V
  - Field-adjustable aircraft cables with clear-jacketed co-axial silver cord
  - Adjustable suspension length up to 115"
  - Direct-mount to ceiling
- 
- CRI 95+
  - R9 90+
  - 84 LM/W delivered efficacy
  - 1250 LM per linear foot (maximum)
  - Faceted acrylic lens with 90° beam spread



Example (X):  
**JPR-AXIS-AXSX-XXX-36-XX-XX**  
 36" nominal

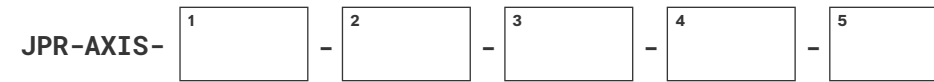
Example (P):  
**JPR-AXIS-AXSP-XXX-36-XX-XX**  
 36" nominal



Maximum cable length is 114 in | 2896 mm.



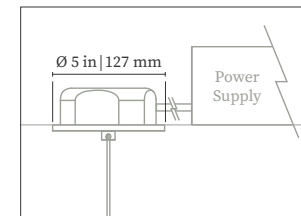
SPECIFICATION BUILDER



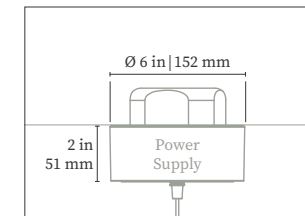
1. Configuration	2. Mounting	3. Pendant Length / Wattage	4. CCT	5. Finish
<b>AXSX</b> Axis X	<b>DMR</b> 5" Canopy	<b>12</b> 12" / 15 W	<b>27</b> 2700 K	<b>01</b> Satin Brass
<b>AXSP</b> Axis P	Remote Power Supply not included	<b>24</b> 24" / 29 W	<b>30</b> 3000 K	<b>02</b> Black Oxide
	<b>DMP</b> 5" Canopy	<b>36</b> 36" / 44 W	<b>35</b> 3500 K	<b>03</b> Satin Nickel
	Remote Power Supply included	<b>48</b> 48" / 59 W	<b>40</b> 4000 K	<b>40</b> English Bronze
	<b>DML</b> Juniper Power Hub – White	See p. 13 for mounting/ spacing configurations and dimensions for various fixture lengths.		<b>BW</b> Black Walnut
	Power Supply included		<b>NA</b> Natural Ash	
	<b>DMC</b> Juniper Power Hub – Custom		<b>EB</b> Ebony	
	Power Supply included		<b>30</b> Matte Pure White	
				<b>32</b> Matte Black
				<b>33</b> Satin Aluminum
				<b>CU</b> Custom

Stock finishes shown.  
 See [Finishes](#) for additional options.

POWER FEED OPTIONS

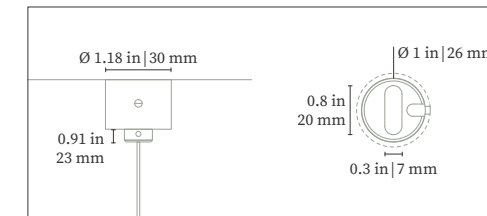


**DMR/DMP** 5" Canopy  
(Remote PSU)



**DML/DMC** Juniper Power Hub  
(Local PSU & Enclosure)

CABLE MOUNTING



Mini Canopy (Side View)

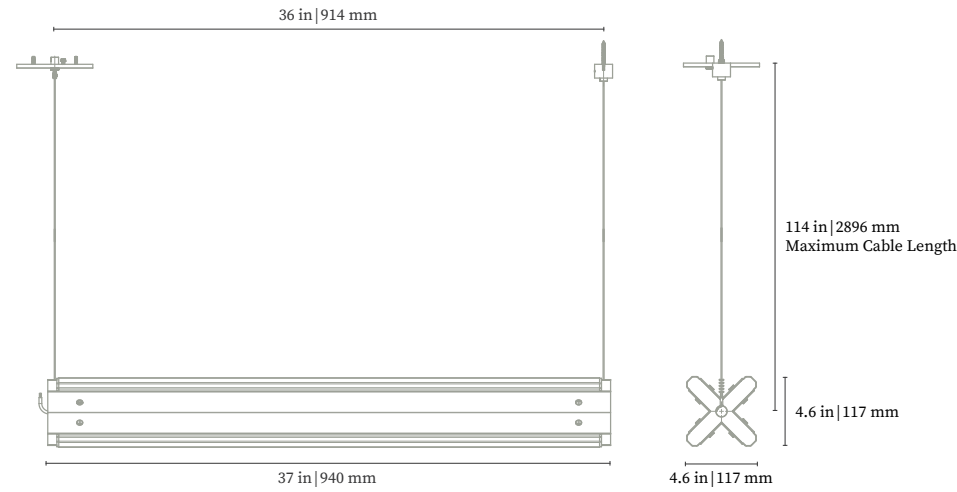
(Top View)

Juniper Power Hub mounting option includes a local power supply. See p. 32–33 for more details. Remote power supply must be specified separately for DMR mounting option (with 5" Canopy). For detailed photometrics, see [Photometric Data](#). IES files available.

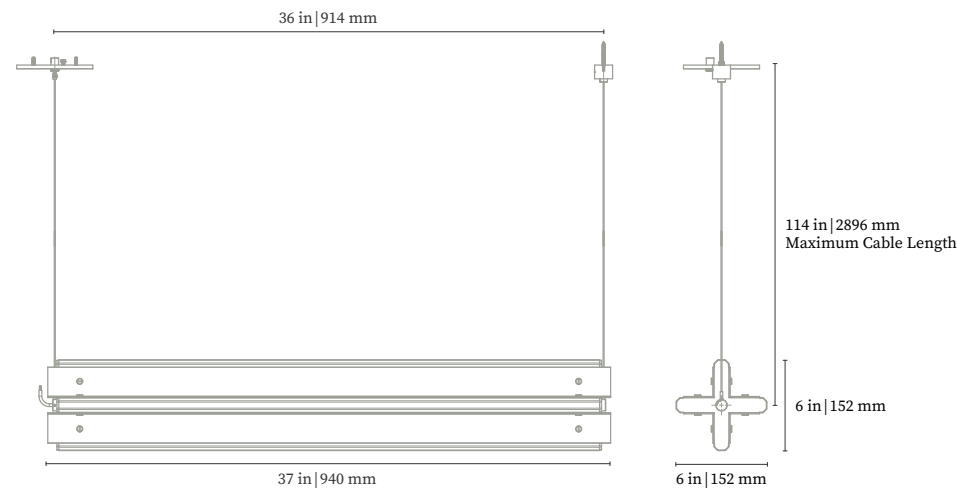


SYSTEM LOGIC

Example (X):  
**JPR-AXIS-AXSX-XXX-36-XX-XX**  
 36" nominal

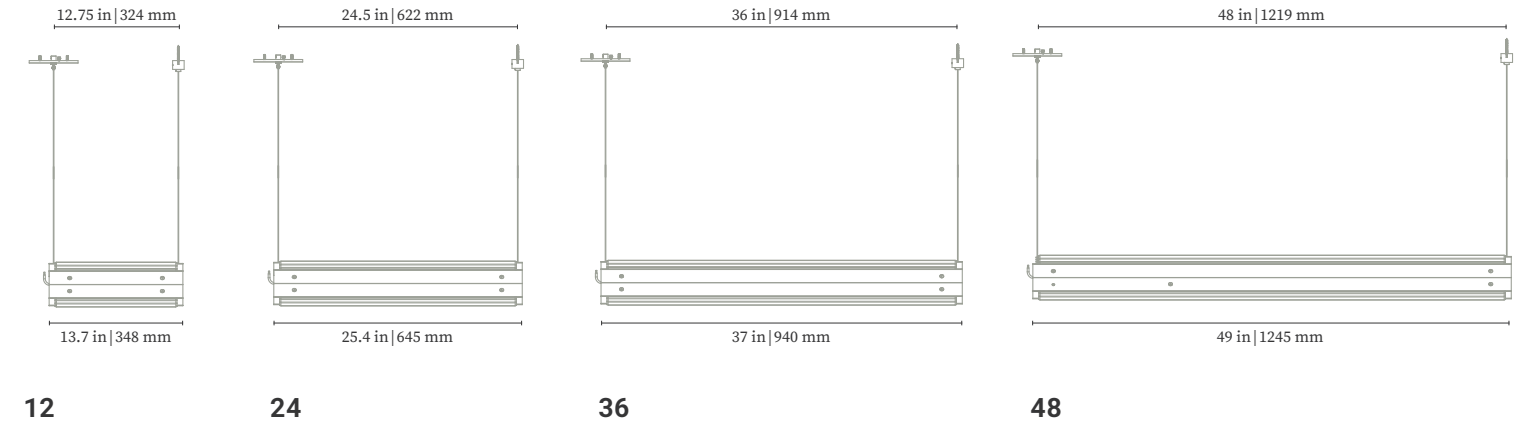


Example (P):  
**JPR-AXIS-AXSP-XXX-36-XX-XX**  
 36" nominal

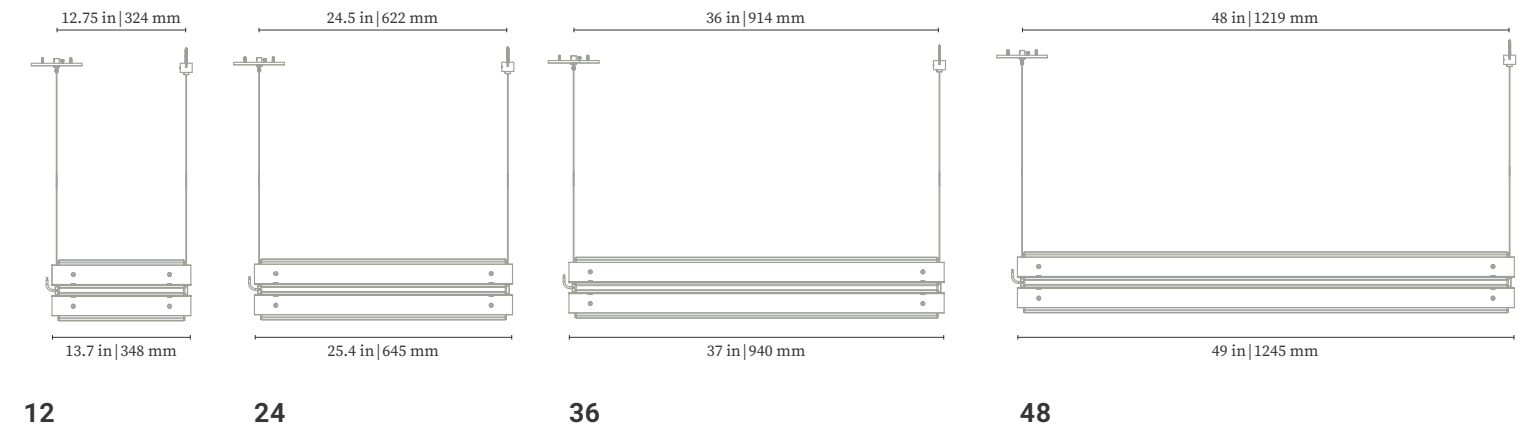


CONFIGURATIONS — DIAGRAMS

Linear Suspensions X



Linear Suspensions P



Length	Weight
12	9.5
24	16.3
36	23
48	30