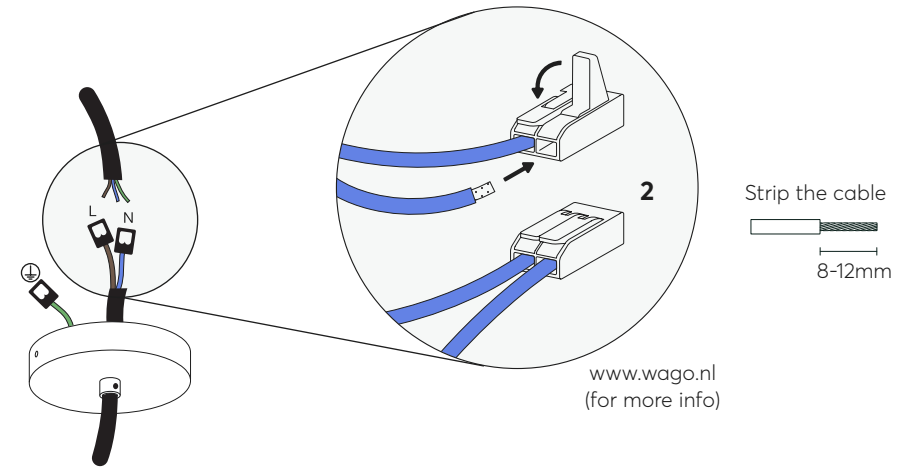


Thank you for your purchase!

Please read this manual carefully to ensure a safe and correct install of your light.

- The manufacturer is not responsible for damage caused by incorrect installation.
- Always turn the power off before installation, carry out maintenance or repairs.
- If in doubt, contact a qualified electrician.
- Keep light away from liquid or flammable objects.
- When installing, make sure cables are not crushed, damaged or corroded.
- If a cable is damaged, it must be replaced by a trained professional.

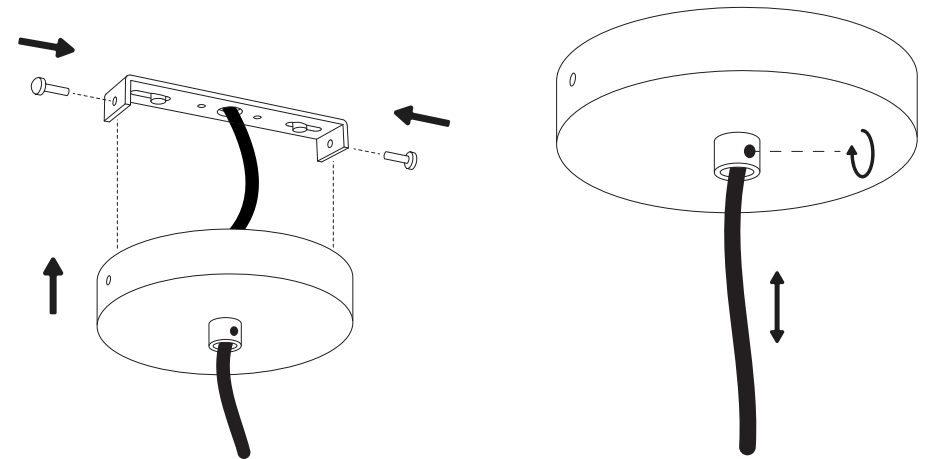
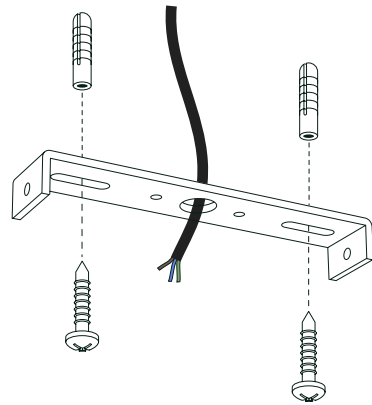
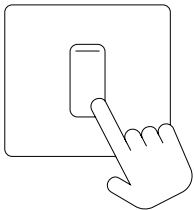


You Will Need

(not included)



- 3** Strip 8-12mm of the cable, exposing the wires.
Insert the electrical cable into the wago connector and flip closed.



- 1** Before starting, please read the guidance above.

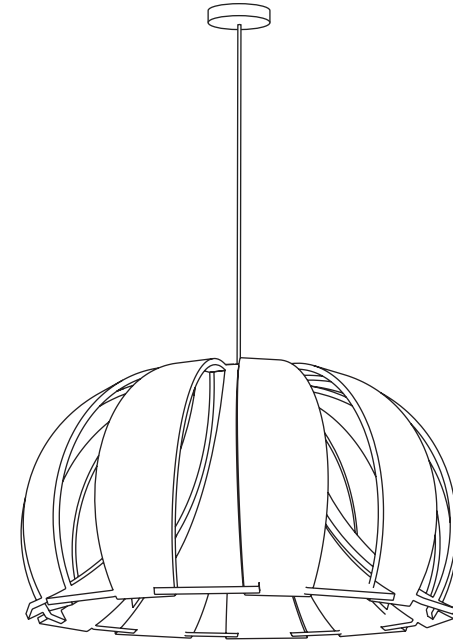
- 2** Drill holes and insert wall plugs. Line up the bracket, thread cable through and screw in place.

- 4** Connect the ceiling canopy to the bracket.

- 5** Use the side-screw to fine adjust the length of the cable.
Your light is now ready to use!

lumènear

Acoustic Lighting



Assembled inside box
Material: PET Felt
Ceiling Rose: Black Metal
Weight: 2KG
IP20

E27 220-240V Max. 10W
Excluding lightsource
Recommended light source: LED Globe 195 clear

lumènear

Zoeterwoudseweg 21D • 2321 GM Leiden • The Netherlands
+31 (0)715352210 • info@lumenear.com • www.lumenear.com

Bloom

Installation Guide