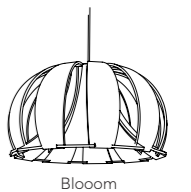


# Bloom



Bloom brings any interior to life with its biophilic design, crafted from a single piece of PET Felt. Its uneven "petal" shapes absorb sound, reducing reverberation and enhancing acoustics.



Bloom



Glueless assembly

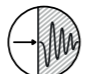

**Material:**  
 PET Felt (polyethylene terephthalate)  
 Fireclass: EN13501-1 Class B  
 Produced in The Netherlands

**Fixture:**  
 1,5m black textile cable  
 Black ceiling cap

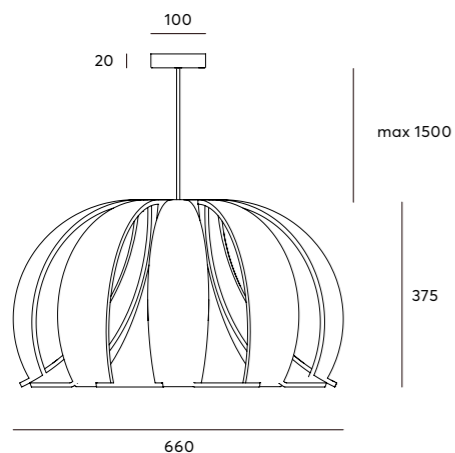
**Light properties:**

-  E27  
Lightbulb excluded
-  IP20

**Acoustic properties:**

-  1,2 m<sup>2</sup> of acoustic absorption material of  $\alpha_w$  0,45
-  Diffusion by design

**Dimensions:**



**Total weight gross | net:** 3,5kg | 2,6kg  
**Parcel size:** 800x800x400mm

**Mounting:**



**Colors:**



13\_Black 03\_Charcoal 36\_Dim Grey 11\_Fog Grey 07\_Ghost White 19\_Midnight 26\_Ocean 30\_Cool Grey 41\_Mint Pastel  
 17\_Forest 40\_Faded Jade 06\_Olive 39\_Warm Grey 04\_Bisque 35\_Ochre 45\_Chilli 09\_Lavender 31\_Rosé

**Acoustic specifications:**

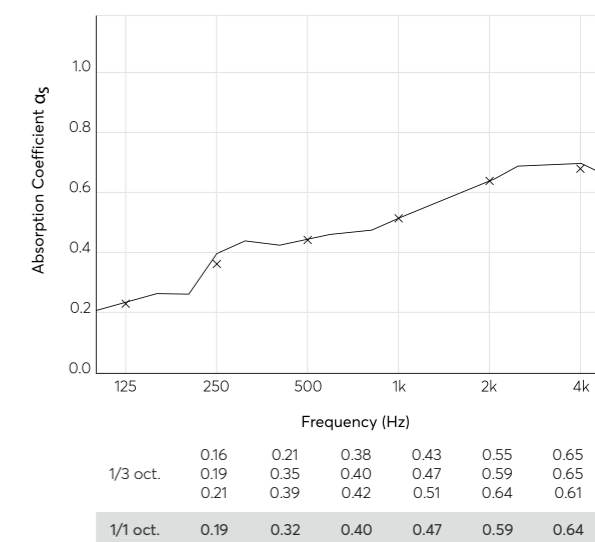
The acoustic design principle.

Bloom is an acoustic pendant light designed to reduce reverberation in large open spaces where soundwaves travel freely.

Ideal for placement above meeting tables, counters, or in restaurants, Bloom's shape and design effectively absorb sound, helping to create a quieter, more comfortable environment.

**Calculated acoustic surface area:** 1,2 m<sup>2</sup>

**Suspended 9 mm PET Felt tested to ISO 354:2003.**



**$\alpha_w$  (ISO 11654) = 0,45**  
 SAA (ASTM - C423) = 0,45