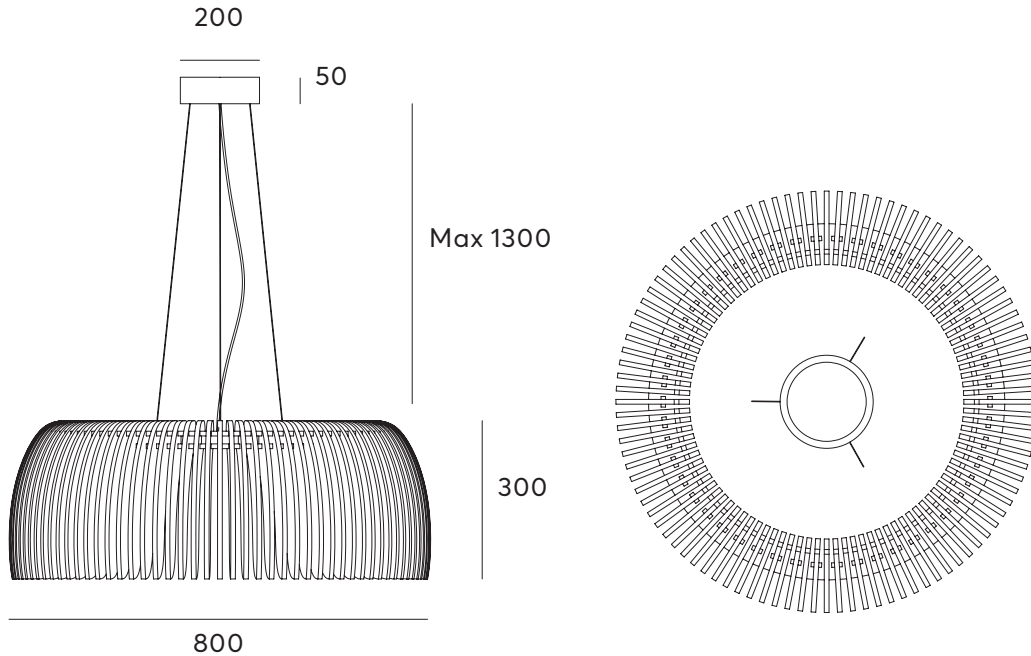


Breeze 800

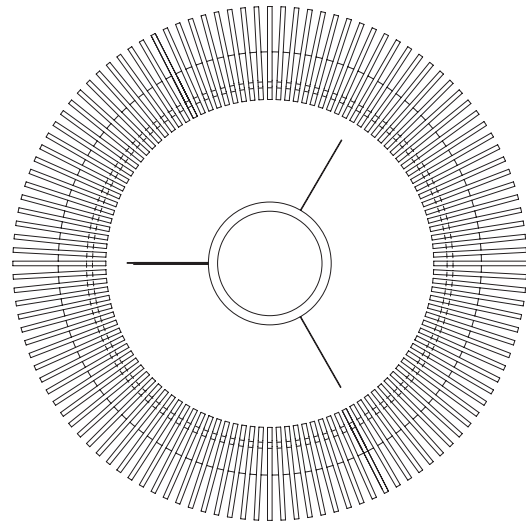
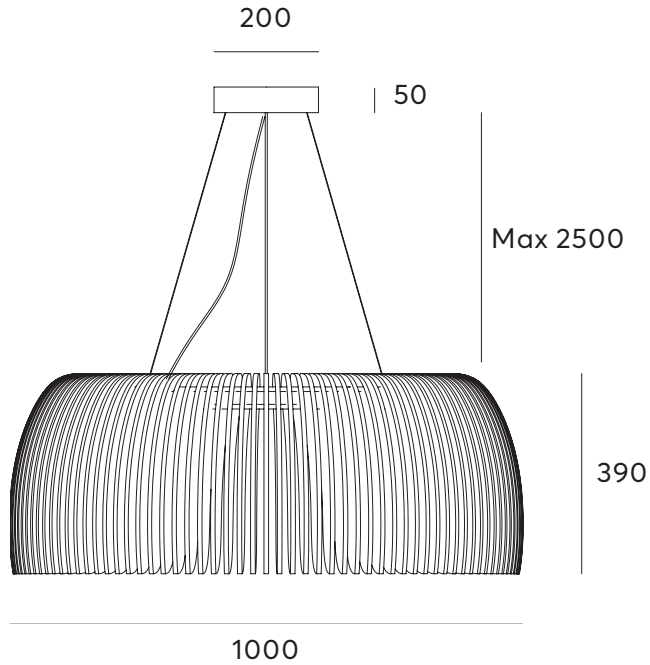


Mounting:



lumènear
acoustic lighting

Breeze 1000



Mounting:



lumēnear
acoustic lighting