




















CHAPEAU!




Interno / Indoor




ARTICLE	1052 GU	1052	1026.1 copri scatola di derivazione /junction box cover	1025	FLEXTUBE
DIMENSIONS	base Ø 130 h 120	base Ø 130 depth 70	base Ø 130 h 55	Ø 20 h 23	
POWER	1 x GU10 max 15w	1 x E27 max 25w			
FORI DI USCITA EXIT HOLES	<ul style="list-style-type: none">  1052 GU.1  1052 GU.2  1052 GU.2L  1052 GU.3 	<ul style="list-style-type: none">  1052.1  1052.2  1052.2L  1052.3 	<ul style="list-style-type: none">  1026.2  1026.2L  1026.3  1026.4 		

IP GRADE
20

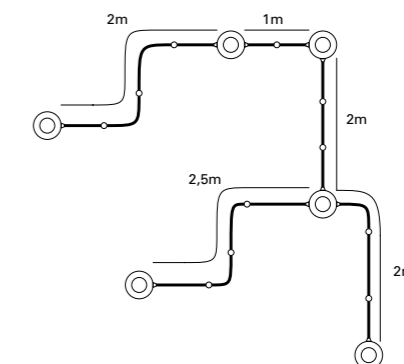
MATERIALS
Copper, aluminium, steel, blown glass.
Rame, alluminio e acciaio, vetro soffiato.

COLOURS IN PHOTO
 smalto bianco 8
 wine matt 76
 sugar paper 77
 cactus 81

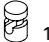
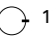

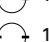
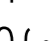
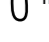

FLEXTUBE
 natural copper / rame naturale RMN*
 patined copper / rame invecchiato RMP
 steel / acciaio ACC

METAL (base)
 natural copper / rame naturale RMN
 patined copper / rame invecchiato RMP
 anodized aluminium / alluminio anodizzato ALL

ESEMPIO
EXAMPLE



COMPONENTI
COMPONENTS

-  1025 x 11
-  1052.1 x 3
-  1052.2 x 1
-  1052.2L x 1
-  1052.3 x 1
-  flex tube x 9,5 m
-  C.AWG.mt x 11,5 m