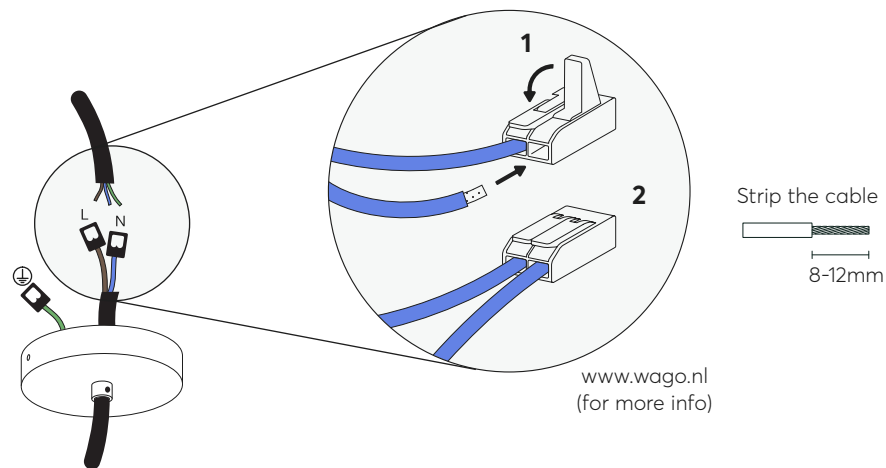


Thank you for your purchase!
Please read this manual carefully to ensure a safe and correct install of your light.

- The manufacturer is not responsible for damage caused by incorrect installation.
- Always turn the power off before installation, carry out maintenance or repairs.
- If in doubt, contact a qualified electrician.
- Keep light away from liquid or flammable objects.
- When installing, make sure cables are not crushed, damaged or corroded.
- If a cable is damaged, it must be replaced by a trained professional.
- This product contains an integrated LED lightsource, which can only be replaced within its 2 year warranty.

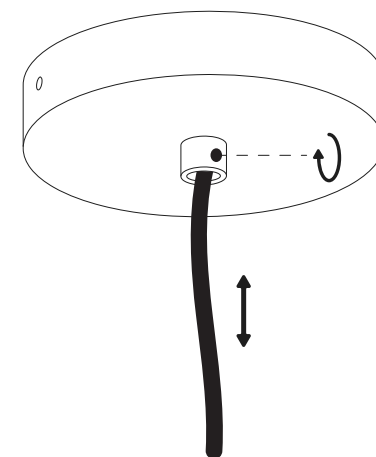
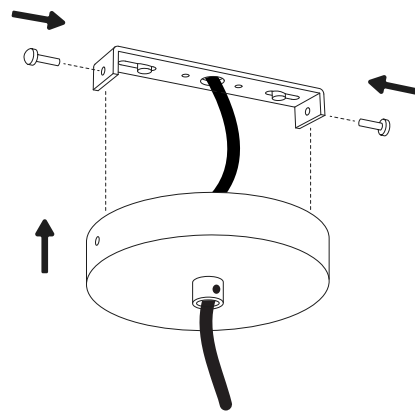
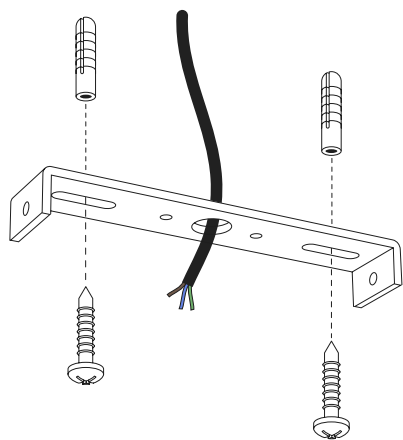
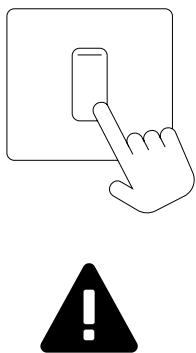


You Will Need

(not included)



- 3** Strip 8-12mm of the cable, exposing the wires.
 Insert the electrical cable into the wago connector and flip closed.



- 1** Before starting, please read the guidance above.

- 2** Drill holes and insert wall plugs. Line up the bracket, thread cable through and screw in place.

- 4** Connect the ceiling canopy to the bracket.

- 5** Use the side-screw to fine adjust the height of the cable.
Your light is now ready to use!

lumēnear

Acoustic Lighting



Assembled inside box
Material: PET Felt
Ceiling Rose: Black Metal
Weight 2,2KG
IP20

Edge spot: 1X GU10 Included Max 5W
CCT: 3000K
Dimmable: Trailing Edge

Edge plug: 1X EU plug
Max 6A



Edge

Installation Guide

lumēnear

Zoeterwoudseweg 21D • 2321 GM Leiden • The Netherlands
+31 (0)715352210 • info@lumenear.com • www.lumenear.com