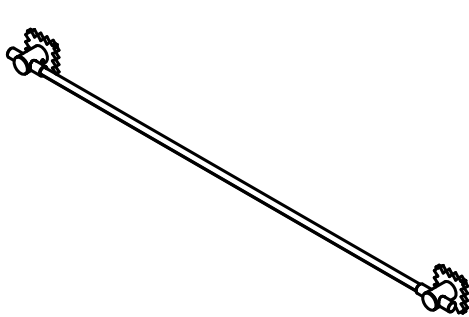
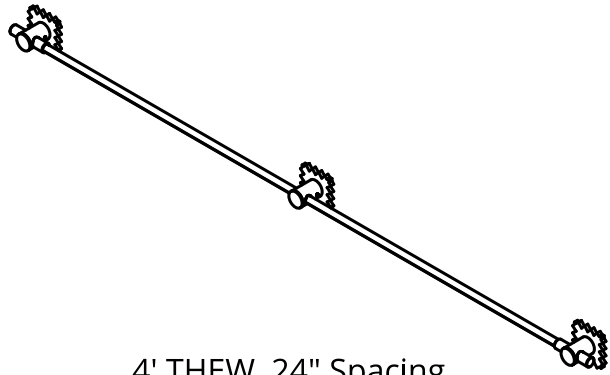


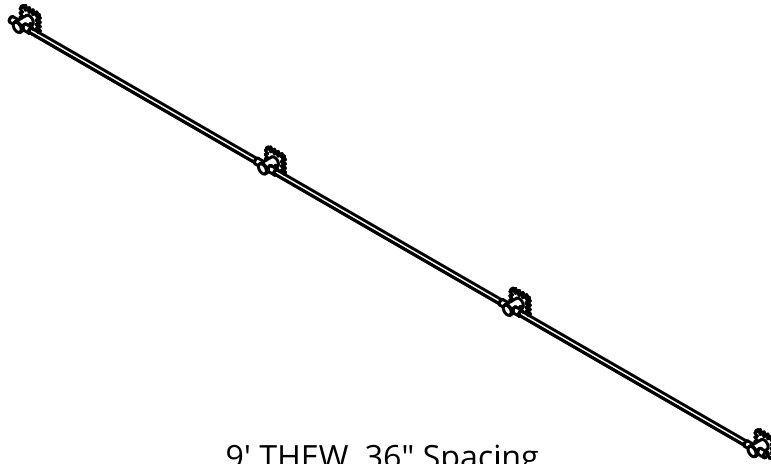
## THEW Surface Mount Installation Guide



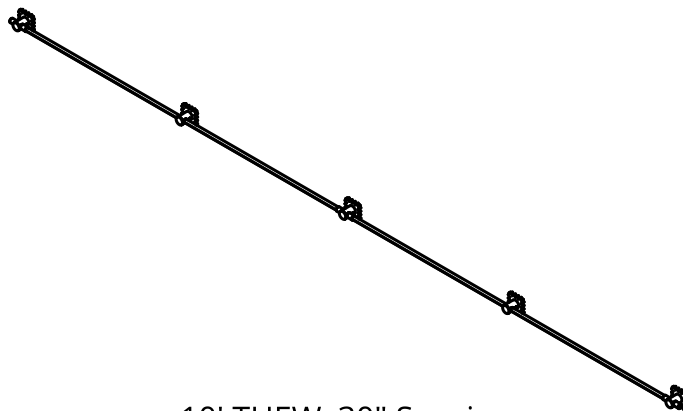
3' THEW, 36" Spacing



4' THEW, 24" Spacing



9' THEW, 36" Spacing



10' THEW, 30" Spacing

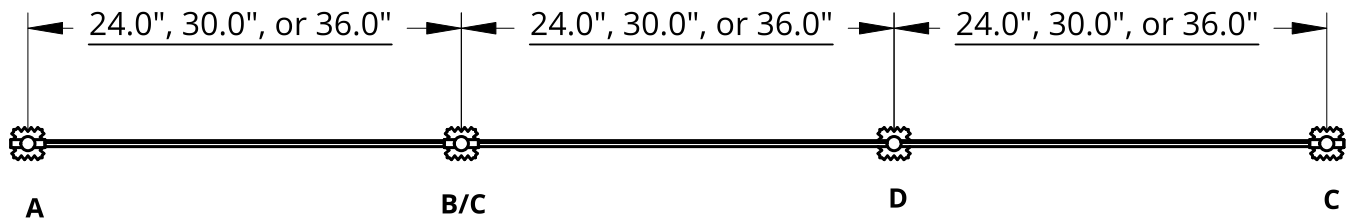
SHOWN ARE EXAMPLES OF CONFIGURATION POSSIBILITIES. SPECIFIC FIXTURE CONFIGURATION MAY VARY.

**WARNING**  
**A LICENSED ELECTRICIAN SHOULD PERFORM INSTALLATION.**  
**DISCONNECT MAIN POWER AT THE SOURCE PRIOR TO INSTALLATION.**

**HARDWIRED REMOTE CLASS 2 POWER SUPPLY SEE STEP 2A.**  
**PLUGIN CLASS 2 POWER SUPPLY SEE STEP 2B.**

**STEP 1: MARK MOUNTING POINTS**

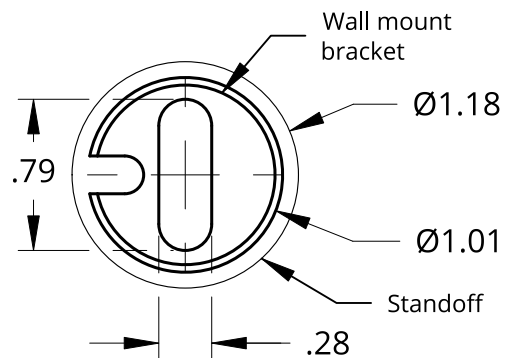
Carefully mark the mounting points with a pencil or marker, using the spacing below. **It is highly recommended to use a laser alignment/measuring tool to ensure that mounted parts are properly distanced and fall a straight line. For vertical installations, it is recommended to place the power standoff (A) at the bottom of the fixture.**



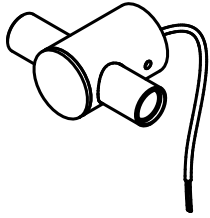
**KEY**

- A POWER STANDOFF** MOUNTED AT THE POWER END OF THE FIXTURE (SEE POWER FEED OPTIONS).
- B PASSTHROUGH STANDOFF** USED TO CONNECT SEGMENTS TOGETHER. MOUNTED IN BETWEEN POWER AND END STANDOFFS.
- C END STANDOFF** MOUNTED AT THE NON-POWERED END OF THE FIXTURE.
- D HOLLOW SUPPORT** USED TO SUPPORT 4' OR LONGER SEGMENTS

<b>Fixture Length</b>		
2'	5'	3'
4'	10'	6'
8'	15'	9'
16'	20'	12'
		18'
		24'
<b>Mount Spacing</b>		
24.0"	30.0"	36.0"



**POWER FEED OPTIONS**

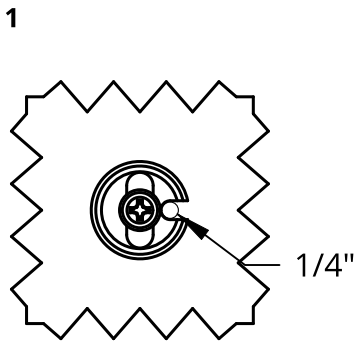


**HARDWIRED**  
 FOR FIXTURES WIRED TO A REMOTELY LOCATED 24VDC POWER SUPPLY  
 SEE **STEP 2A** FOR DETAILED INSTALLATION AND WIRING INFORMATION

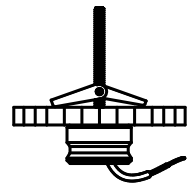
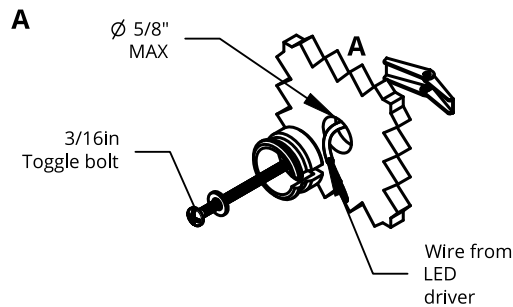
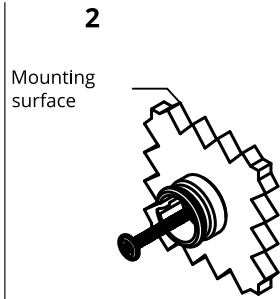


**PLUG-IN**  
 FOR LOCAL 24VDC POWER SUPPLY  
 SEE **STEP 2B** FOR DETAILED INSTALLATION AND WIRING INFORMATION

**STEP 2A: HARDWIRED FIXTURE INSTALLATION**

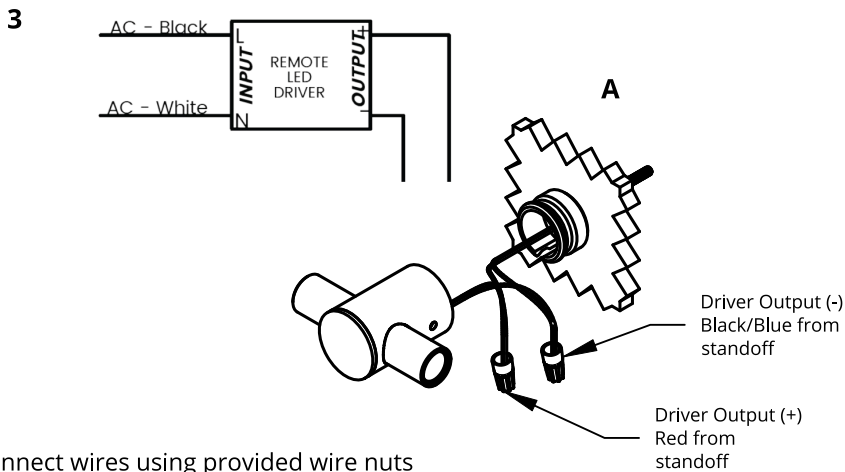


Drill a hole through the wall bracket slot using a 1/4" drill bit, which will be used to receive low voltage wires from remotely located LED driver.



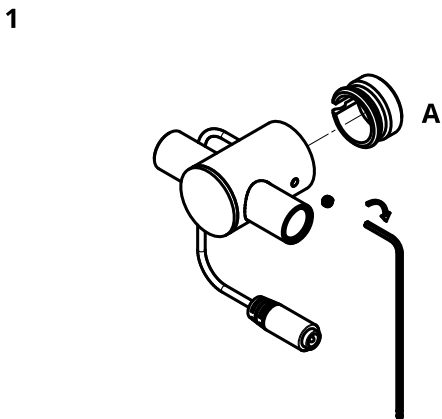
Using the provided screw, mount the wall bracket with the hole positioned in the center of the slot.

- Woodscrews are provided for default installation. Alternate screws may be used at the recommendation of an electrician.
- Alternate installation with toggle bolt and washer is recommended for drywall. Use 3/16in max. toggle bolt with head and/or washer larger than 3/8in but no larger than 1/2in.

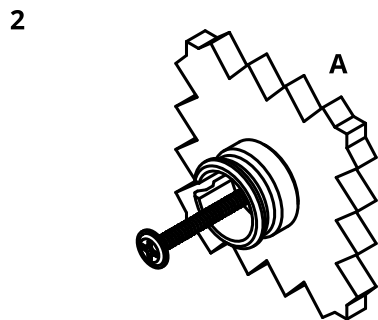


Connect wires using provided wire nuts and push the wires along with the wire nuts into the standoff. Wires to and from the driver are not included.

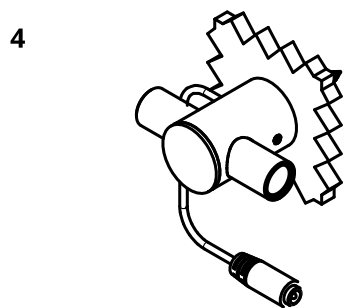
**STEP 2B: PLUG-IN FIXTURE INSTALLATION**



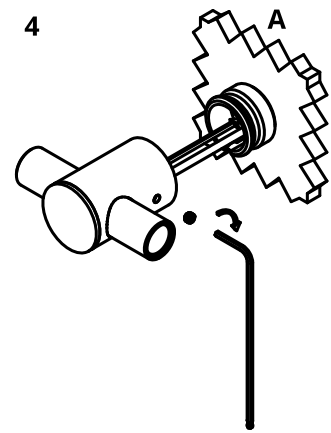
If installed from Juniper, loosen the set screw on the power standoff (A) and release the wall mount bracket.



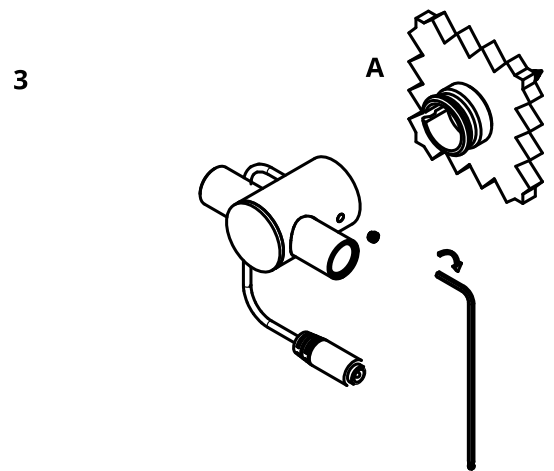
Using the provided screw, mount the wall bracket with the hole positioned in the center of the slot. Orient slot as needed. Truss head screws and toggle bolts are provided for default installation. Alternate screws may be used as needed for secure mounting.



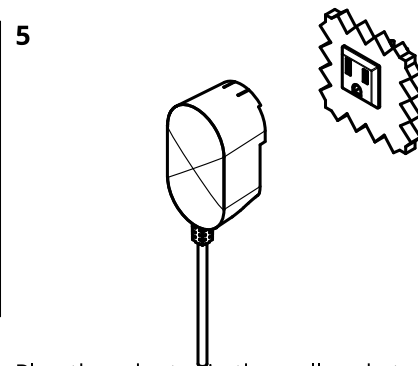
Insert the DC jack into the provided adaptor plug to make electrical connection.



Slide the power standoff (A) on the wall bracket. Using the provided set screw, fix the power standoff in place. **Ensure that the mounting bracket has been secured tightly against the wall to prevent any sagging of the fixture.**



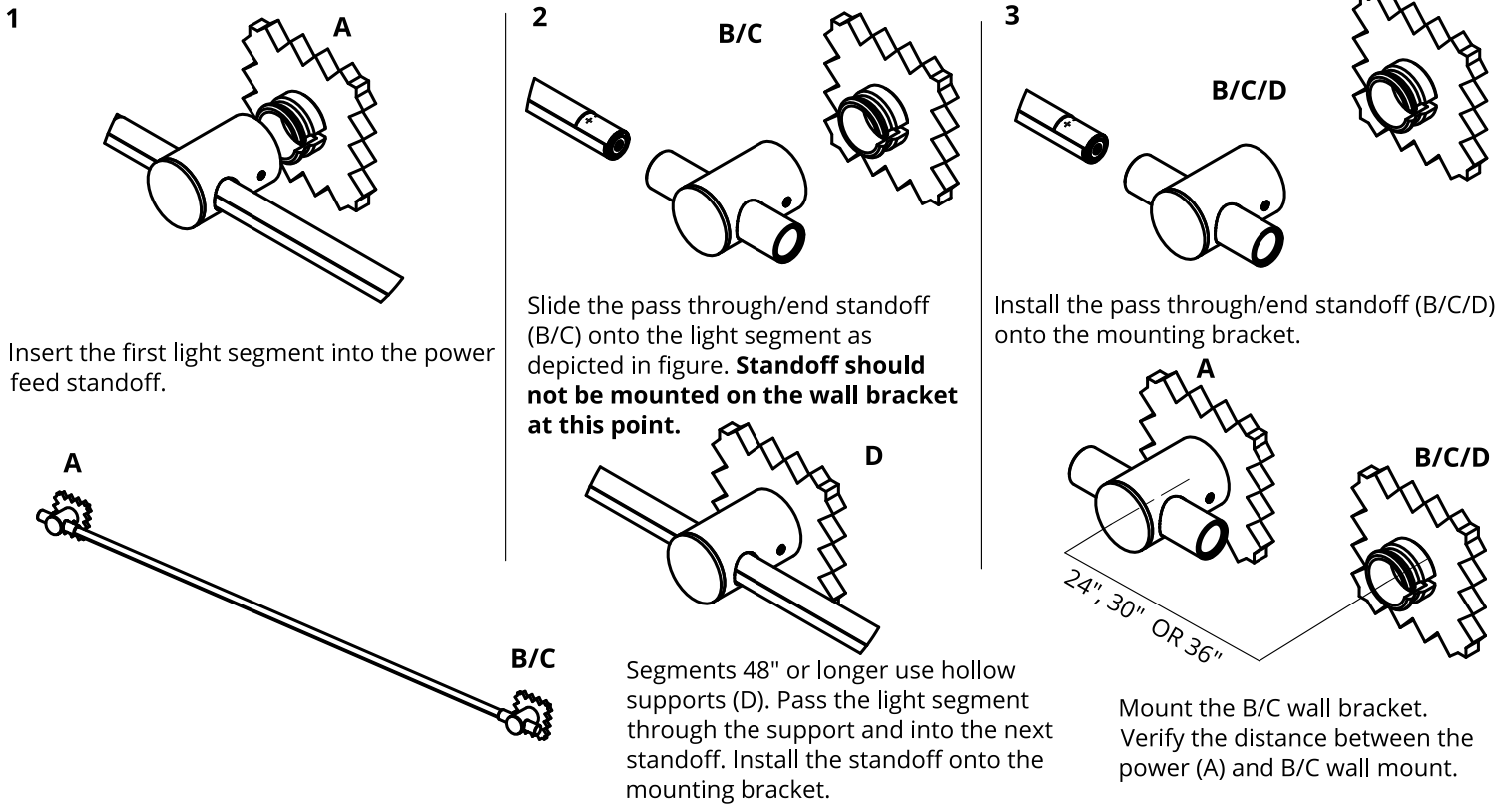
With the wire set alongside the 'mouse hole' on the standoff, slide the power standoff (A) on the wall bracket. **Make sure that the wire fits through the slot on the wall bracket.** Using the provided set screw, fix the power standoff in place. **Ensure that the mounting bracket has been secured tightly against the wall to prevent any sagging of the fixture.**



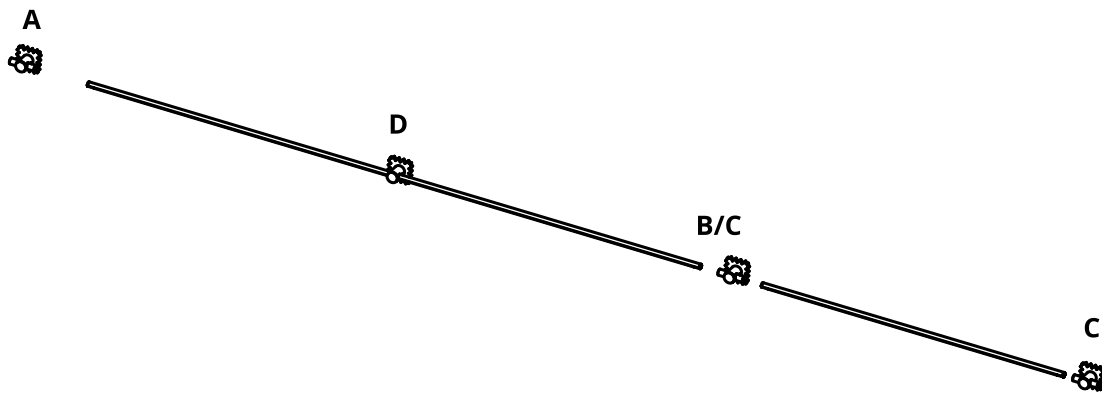
Plug the adapter in the wall socket and turn on the power.

After completing the above instructions, follow the instruction 6-11 to install passthrough and/or end (B/C) standoff and light segments to complete the fixture's installation.

**STEP 3: INSTALLING LIGHT SEGMENTS**



Make sure there is no movement of the light segment in horizontal direction as depicted above otherwise the fixture might not illuminate. In case of any movement, adjust the wall bracket by slightly loosening the B/C mounting screw and moving it in the direction of the power feed standoff (A). Note, the fixture is designed with 1/8" adjustment allowance. Once the fixture is illuminated, tighten set screw on the pass through/end (B/C) standoff to secure it in place.



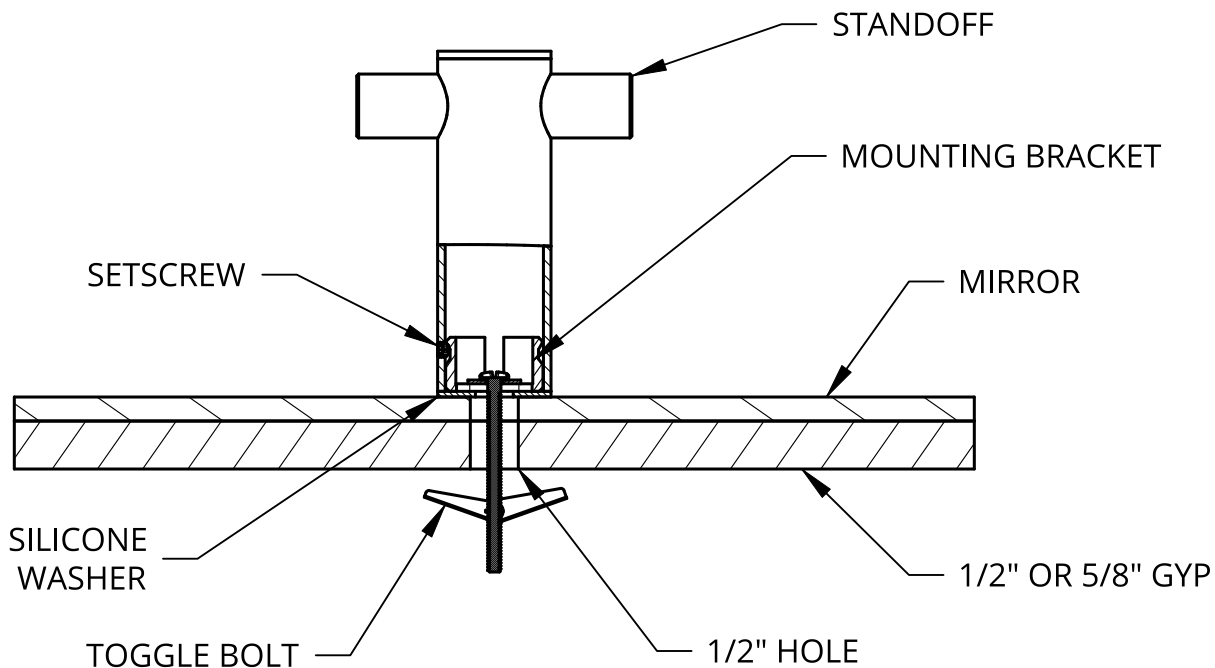
For additional light segments repeat the previous steps. **Prior to mounting each segment verify the distance between consecutive mounting brackets.**

**CARE INSTRUCTIONS**

Brass will patina over time like other natural metals and regular care is required in order to retain the quality finish of your THIN fixture for years to come.  
 Gently wipe with a damp cloth to remove dirt, dust, and fingerprints.  
 Do not use any chemical cleaning solution.  
 Use indoors only.

**ADDENDUM: MIRROR MOUNTING**

**OPTION 1: OVER GLASS**



**OPTION 2: RECESSED**

