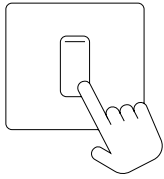
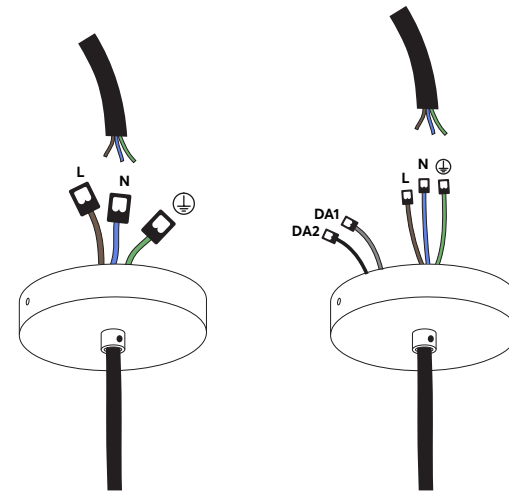
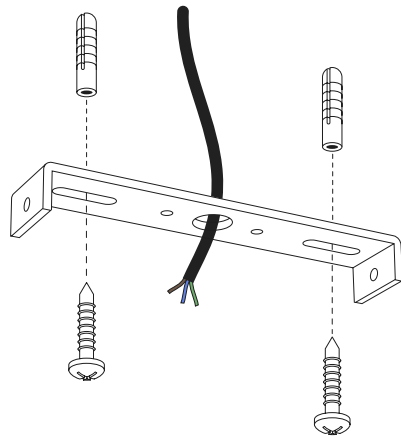


# You Will Need

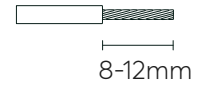
(not included)



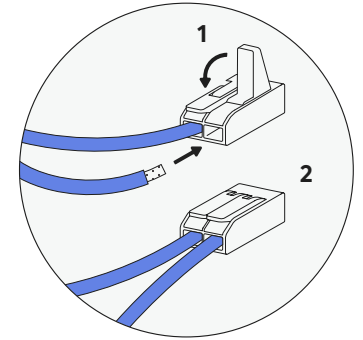
Turn the power off before starting!



Strip the cable



[www.wago.nl](http://www.wago.nl)  
(for more info)



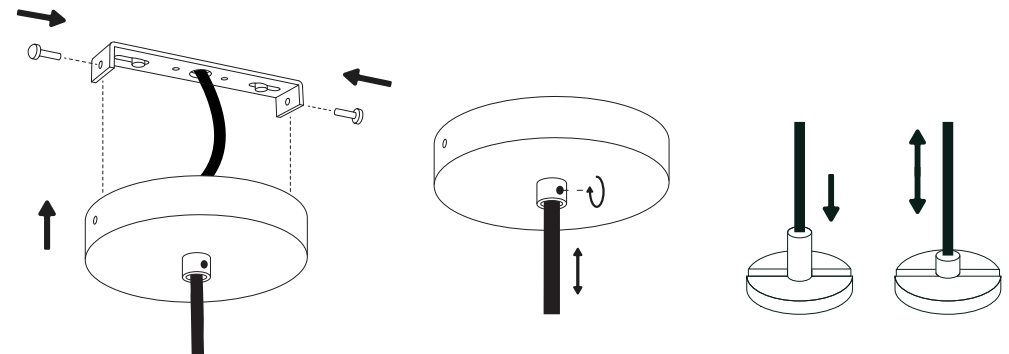
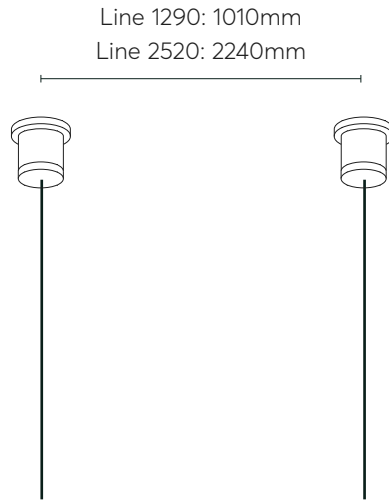
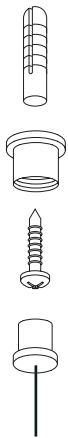
**Non Dimmable**

**DALI**

**1** Before starting, please read the guidance on the back of this leaflet.

**2** Drill holes and insert wall plugs. Line up the bracket, thread cable through and screw in place.

**4** The above diagram shows two dimming options (DALI and Trailing Edge). Strip 8-12mm of the cable, exposing the wires. Insert the electrical cable into the wago connector and flip closed.



**3** Screw the tensioners into the ceiling before adjusting the length, as shown in the above diagram.

**5** Connect the ceiling canopy to the bracket using 2 screws.

**6** Fine adjust the cable using the side screw. Adjust the tensioners as shown above. **Your light is now ready to use!**

**Thank you for your purchase!**

**Please read this manual carefully to ensure a safe and correct install of your light.**

- The manufacturer is not responsible for damage caused by incorrect installation.
- Always turn the power off before installation, carry out maintenance or repairs.
- If in doubt, contact a qualified electrician.
- Keep light away from liquid or flammable objects.
- When installing, make sure cables are not crushed, damaged or corroded.
- If a cable is damaged, it must be replaced by a trained professional.
- This product contains an integrated LED light source, which can only be replaced within its 2 year warranty.



Assembled inside box

Material: PET Felt

Ceiling Rose: Black Metal

Weight: Line 1290: 4.1kg

Line 2520: 9kg

IP20

CCT: 3000/4000

Dimming: Non-dim DALI/Push

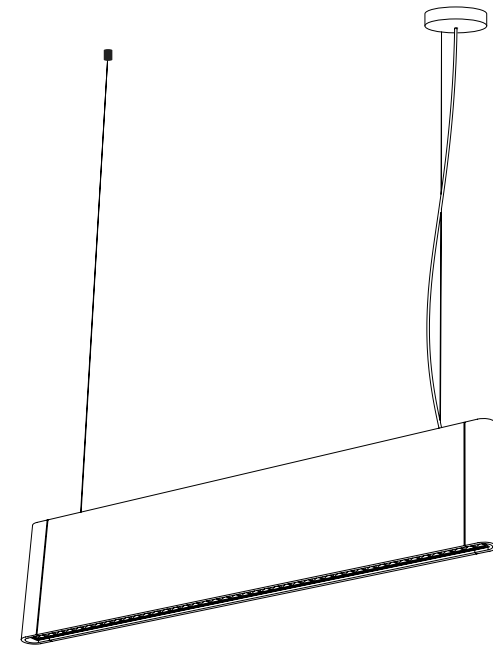
lumēnear

Zoeterwoudseweg 21D • 2321 GM Leiden • The Netherlands

+31 (0)715352210 • [info@lumenear.com](mailto:info@lumenear.com) • [www.lumenear.com](http://www.lumenear.com)

# lumēnear

## Acoustic Lighting



## Line light

### Installation Guide