

# TECHNICAL DATA SHEET

## MIST 50 ADJUSTABLE IP20

Interior



Adjustable 0° - 30°  
Cut out 184x234 mm  
Material: CALCYT® plaster

### PHASE DIMMABLE

- Including phase dimmable LED driver
- Driver can be used as on/off or phase dim
- Driver fits through the gypsum opening
- Recessed depth h = 110 mm (incl driver)
- Standard beam 36°- Optional 24° or 12° beam

### DALI DIMMABLE

- Including DALI dimmable LED driver
- Driver fits through the gypsum opening
- Recessed depth h = 155 mm (incl driver)
- Standard beam 36°- Optional 24° or 12° beam

Mist Adjustable- 700lm Phase Dim			
Dlm to warm 3000k-1800k	2700k	3000k	4000k
BR24772640	BR24772040	BR24772140	BR24772240
6W - 700LM - CRI 92 - 2 step MacAdam			

Mist Adjustable- 700lm Dali Dim			
Dlm to warm 3000k-1800k	2700k	3000k	4000k
BR24732640	BR24732040	BR24732140	BR24732240
6W - 700LM - CRI 92 - 2 step MacAdam			

Mist Adjustable- 1000lm Phase Dim			
	2700k	3000k	4000k
	BR24774040	BR24774140	24774240
9.1W - 1000lm- CRI 97 - 2 step MacAdam			

Mist Adjustable - 1000lm Dali Dim			
	2700k	3000k	4000k
	BR24734040	BR24734140	BR24734240
9.1W - 1000lm- CRI 97 - 2 step MacAdam			

Mist Adjustable- 1300lm Phase Dim			
Dlm to warm 3000k-1800k	2700k	3000k	4000k
BR24773640	BR24773040	BR24773140	BR24773240
12.7w - 1300lm - CRI 92 - 2 step MacAdam			

Mist Adjustable - 1300lm Dali Dim			
Dlm to warm 3000k-1800k	2700k	3000k	4000k
BR24733640	BR24733040	BR24733140	BR24733240
12.7w - 1300lm - CRI 92 - 2 step MacAdam			

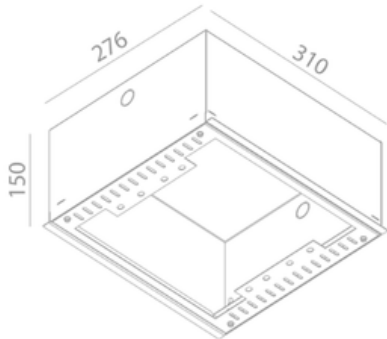
## INSTALLATION KIT

### STANDARD (included) installation system for ceiling 9 -12 -15 mm

BR24799025 installation system for gypsum ceiling 25 mm

BR24799030 installation system for gypsum ceiling 30 mm Concrete

BR84900000 box Pixo 50 - Galvanized steel - Image Below

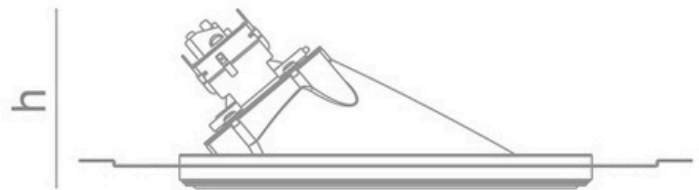
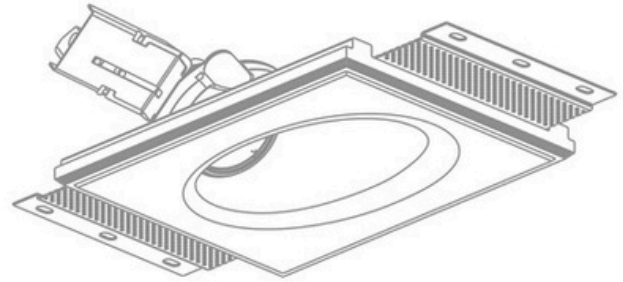


### BEAM ANGLES

#### STANDARD (included) beam angle 36°

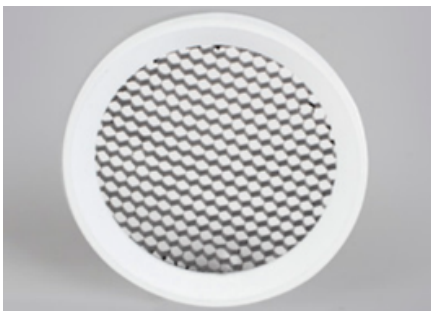
BR20550024 (option) beam angle 24°

BR20550012 (option) beam angle 12°



**Optional Frosted Diffuser**

BR20151001



**Optional Honeycomb filter**

BR20152001



**Optional spherical glass lens**

BR20153001

