

# TECHNICAL DATA SHEET

## PIXO 1 X 50 ADJUSTABLE IP20

Interior



Adjustable 0° - 30°  
Cut out 114x134 mm  
Material: CALCYT® plaster

### PHASE DIMMABLE

- Including phase dimmable LED driver
- Driver can be used as on/off or phase dim
- Driver fits through the gypsum opening
- Recessed depth h = 110 mm (incl driver)
- Standard beam 36°- Optional 24° or 12° beam

### DALI DIMMABLE

- Including DALI dimmable LED driver
- Driver fits through the gypsum opening
- Recessed depth h = 155 mm (incl driver)
- Standard beam 36°- Optional 24° or 12° beam

#### Pixo 50 Adjustable- 700lm Phase Dim

Dim to warm 3000k-1800k	2700k	3000k	4000k
BR26172640	BR26172040	BR26172140	BR26172240
6W - 700LM - CRI 92 - 2 step MacAdam			

#### Pixo 50 Adjustable- 700lm Dali Dim

Dim to warm 3000k-1800k	2700k	3000k	4000k
BR26132640	BR26132040	BR26132140	BR26132240
6W - 700LM - CRI 92 - 2 step MacAdam			

#### Pixo 50 Adjustable- 1000lm Phase Dim

	2700k	3000k	4000k
	BR26174040	BR26174140	BR26174240
9.1W - 1000lm- CRI 97 - 2 step MacAdam			

#### Pixo 50 Adjustable - 1000lm Dali Dim

	2700k	3000k	4000k
	BR26134040	BR26134140	BR26134240
9.1W - 1000lm- CRI 97 - 2 step MacAdam			

#### Pixo 50 Adjustable- 1300lm Phase Dim

Dim to warm 3000k-1800k	2700k	3000k	4000k
BR26173640	BR26173040	BR26173140	BR26173240
12.7w - 1300lm - CRI 92 - 2 step MacAdam			

#### Pixo 50 Adjustable - 1300lm Dali Dim

Dim to warm 3000k-1800k	2700k	3000k	4000k
BR26133640	BR26133040	BR26133140	BR26133240
12.7w - 1300lm - CRI 92 - 2 step MacAdam			

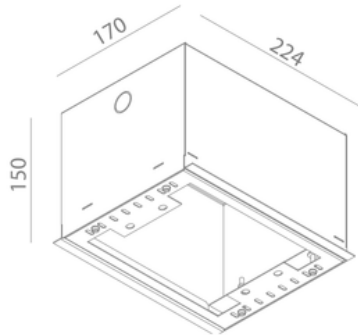
## INSTALLATION KIT

### STANDARD (included) installation system for ceiling 9 -12 -15 mm

BR26199025 installation system for gypsum ceiling 25 mm

BR26199030 installation system for gypsum ceiling 30 mm Concrete

BR82700000 box Pixo 50 - Galvanized steel - Image Below



### BEAM ANGLES

**STANDARD (included) beam angle 36°**

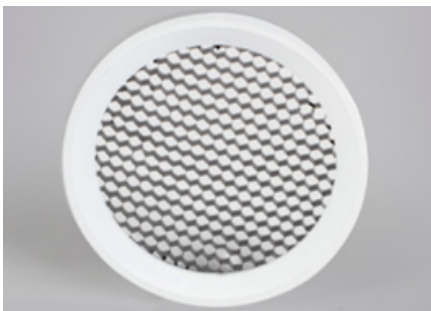
BR20550024 (option) beam angle 24°

BR20550012 (option) beam angle 12°



**Optional Frosted Diffuser**

BR20151001



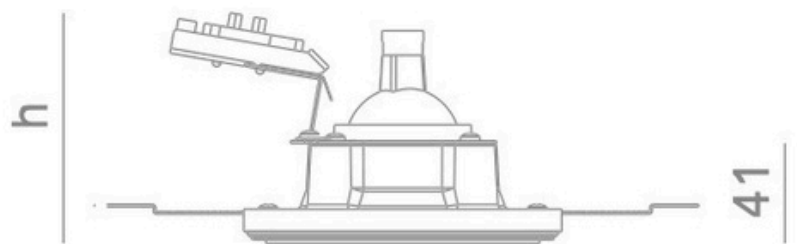
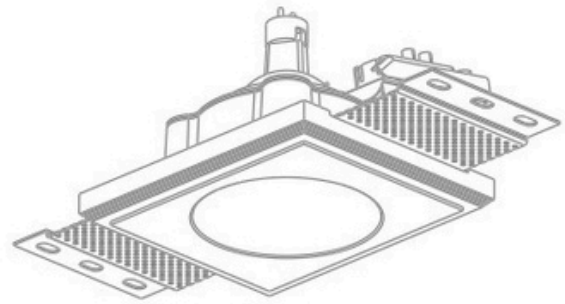
**Optional Honeycomb filter**

BR20152001



**Optional spherical glass lens**

BR20153001



242

130

∅ 80

