

# TECHNICAL DATA SHEET

## PIXO 2 X 50 TWIN FIXED IP54

Bathroom



Fixed 0°  
Cut out 114x244 mm  
Material: CALCYT® plaster

### PHASE DIMMABLE

- Including phase dimmable LED driver
- Driver can be used as on/off or phase dim
- Driver fits through the gypsum opening
- Recessed depth h = 110 mm (incl driver)
- Standard beam 36°- Optional 24° or 12° beam

### DALI DIMMABLE

- Including DALI dimmable LED driver
- Driver fits through the gypsum opening
- Recessed depth h = 155 mm (incl driver)
- Standard beam 36°- Optional 24° or 12° beam

Pixo 2x50 IP54- 700lm Phase Dim			
Dlm to warm 3000k-1800k	2700k	3000k	4000k
BR25772641	BR25772041	BR25772141	BR25772241
2x6W - 2x700LM - CRI 92 - 2 step MacAdam			

Pixo 2x50 IP54- 700lm Dali Dim			
Dlm to warm 3000k-1800k	2700k	3000k	4000k
BR25732641	BR25732041	BR25732141	BR25732241
2x6W - 2x700LM - CRI 92 - 2 step MacAdam			

Pixo 2x50 IP54- 1000lm Phase Dim			
	2700k	3000k	4000k
	BR25774041	BR25774141	BR25774241
2x9.1W - 2x1000lm- CRI 97 - 2 step MacAdam			

Pixo 2x50 IP54 - 1000lm Dali Dim			
	2700k	3000k	4000k
	BR25734041	BR25734141	BR25734241
2x9.1W - 2x1000lm- CRI 97 - 2 step MacAdam			

Pixo 2x50 IP54- 1300lm Phase Dim			
Dlm to warm 3000k-1800k	2700k	3000k	4000k
BR25773641	BR25773041	BR25773141	BR25773241
2x12.7w - 2x1300lm - CRI 92 - 2 step MacAdam			

Pixo 2x50 IP54- 1300lm Dali Dim			
Dlm to warm 3000k-1800k	2700k	3000k	4000k
BR25733641	BR25733041	BR25733141	BR25733241
2x12.7w - 2x1300lm - CRI 92 - 2 step MacAdam			

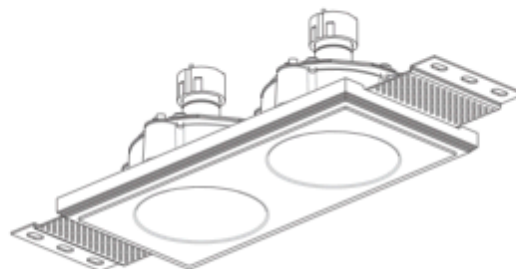
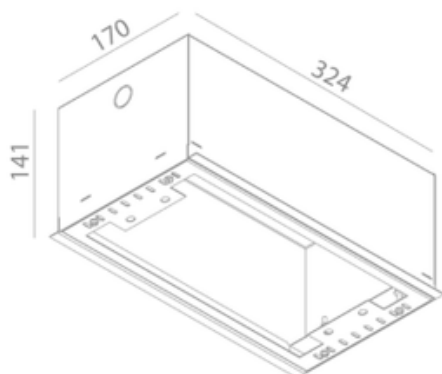
## INSTALLATION KIT

### STANDARD (included) installation system for ceiling 9 -12 -15 mm

BR26199025 installation system for gypsum ceiling 25 mm

BR26199030 installation system for gypsum ceiling 30 mm REF N° 856

BR85600000 00 000 Concrete box Pixo 2x50 - Galvanized steel



## BEAM ANGLES

### STANDARD (included) beam angle 36°

BR20550024 (option) beam angle 24°

BR20550012 (option) beam angle 12°



### Optional Frosted Diffuser

BR20151001

