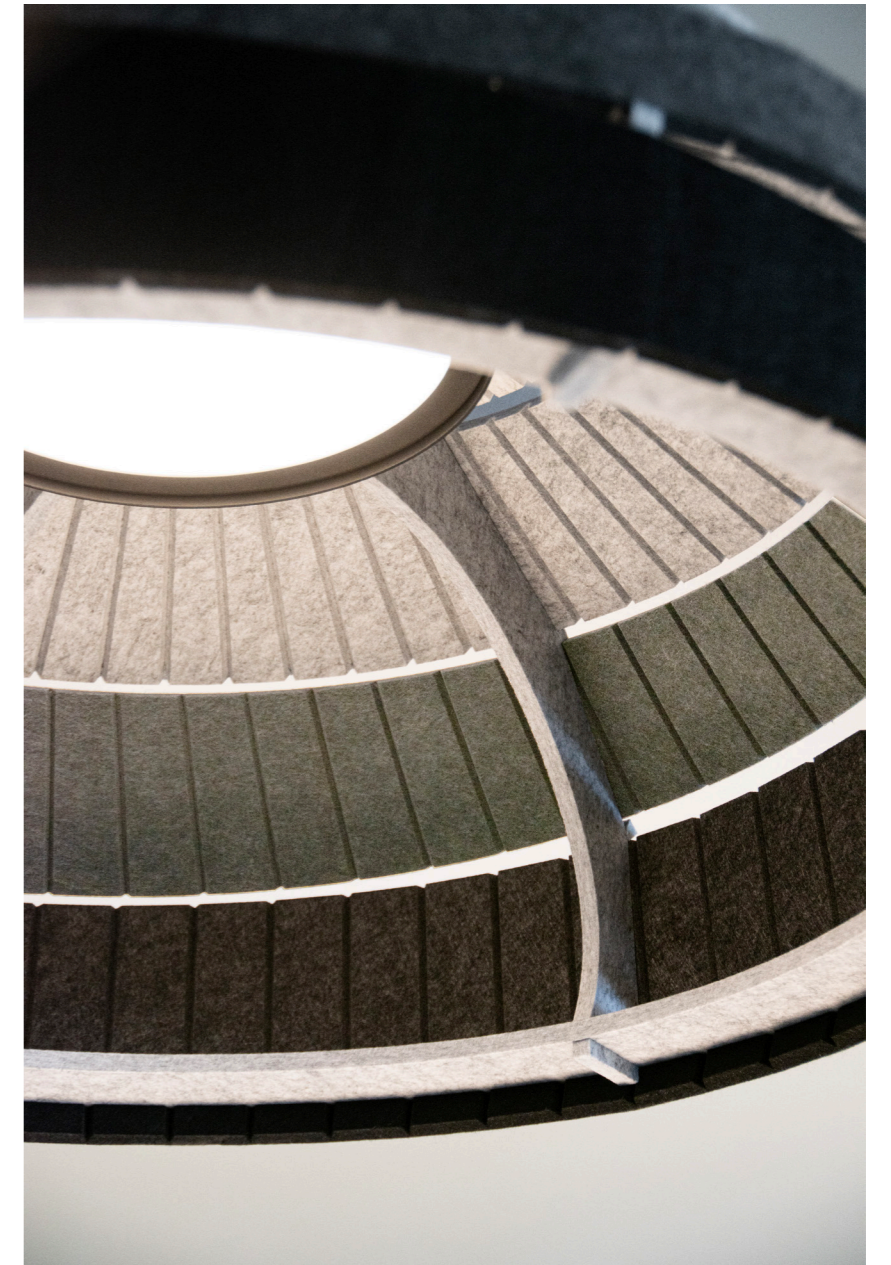
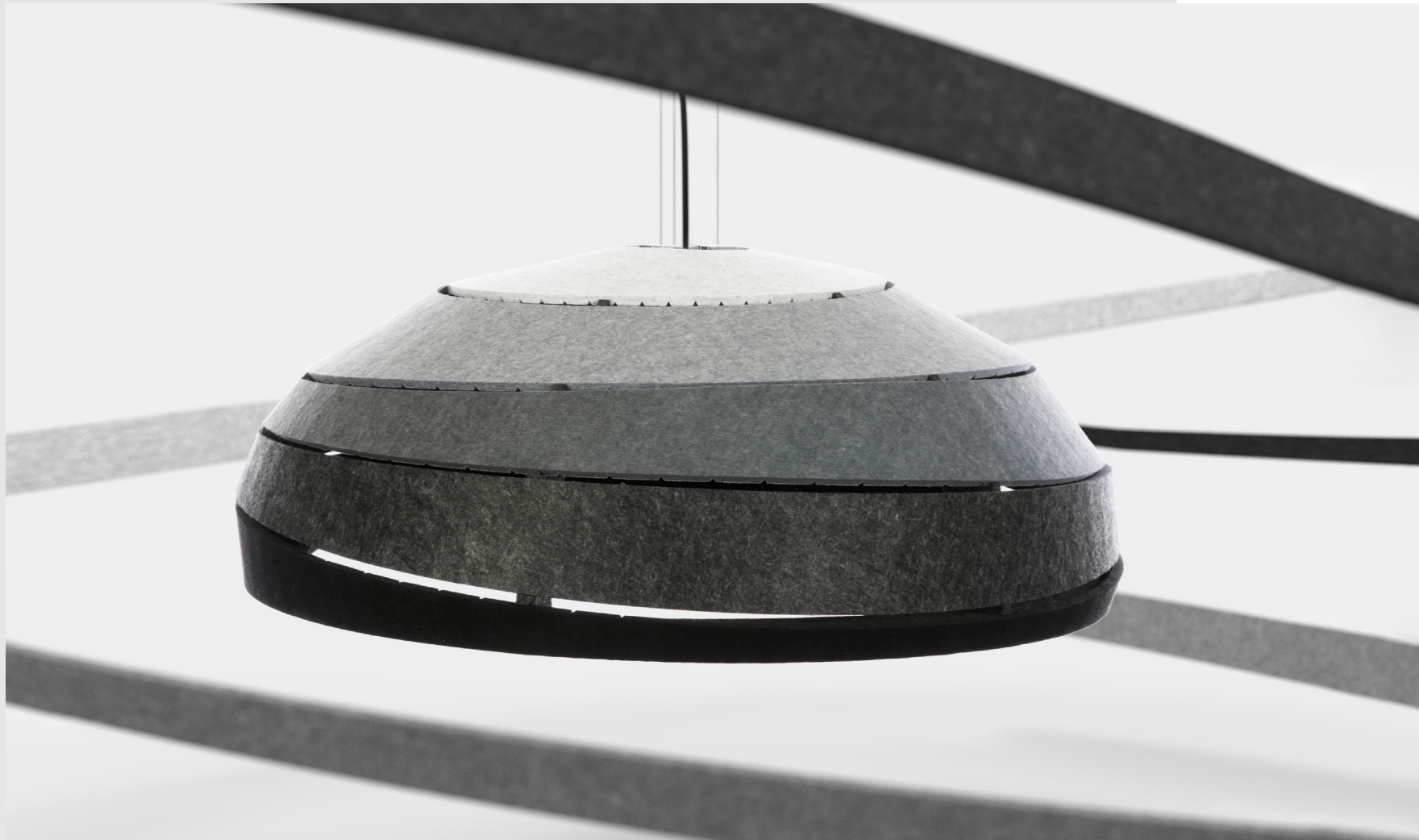


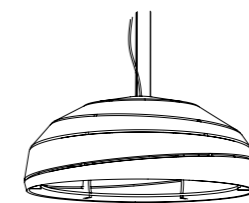
Sliced

The acoustic lamp Sliced is designed in search of the possibilities to bend the flat material PET Felt. By cutting into the material, the PET Felt becomes flexible and docile. The "sliced" layers of PET Felt are draped over the fixture like a shell.

Sliced comes in a single color or in a grey combination. The shade provides direct light and an exciting indirect light between the "shells". Both the outside and inside of the lamp have their own character, with the construction being an integral part of the design.



Sliced is an original PET Felt design, stylish and sound absorbing.



Sliced



Material:
 PET Felt (polyethylene terephthalate)
 Fireclass: EN13501-1 Class B
 Produced in The Netherlands

Fixture:
 2m black textile cable
 3 black metal wires with adjustable griplock
 Black ceiling cap

Lighting properties:

Integrated LED
17W | 1850lm

Dimmable
Trailing edge (RC) | Dali

CCT 2700 | 3000K | 4000K
TW 2700-6500K

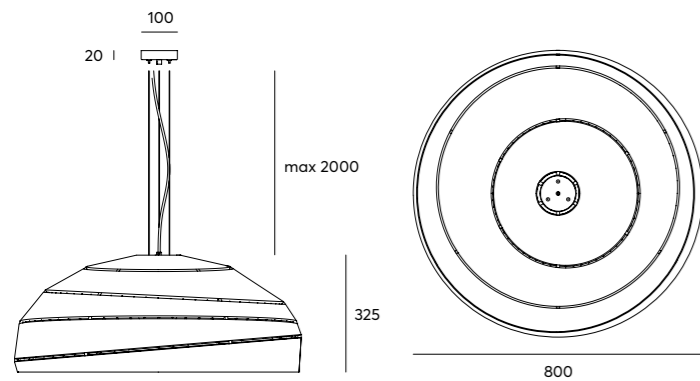
IP20

Acoustic properties:

0,85 m² of acoustic absorption material of aw 0,45

Diffusion due to the rounded design

Measurements:



Total weight: 2,8kg



Colors:

13_Black 03_Charcoal 36_Dim Grey 11_Fog Grey 07_Ghost White 19_Midnight 26_Ocean 30_Cool Grey 41_Mint Pastel

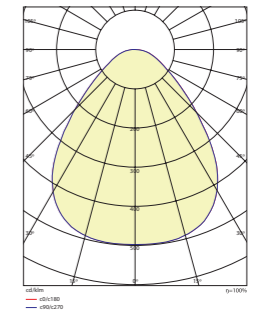
17_Forest 40_Faded Jade 06_Olive 39_Warm Grey 04_Bisque 35_Ochre 45_Chilli 09_Lavender 31_Rosé

GF_Grey Fade

Light source specifications:

LED power:	17W
Connection voltage:	220-240V AC
Luminous Flux:	1850lm
Frequency:	47-63Hz
Driver:	Included Integrated
Control Dimmable:	Trailing Edge Dali
Power factor:	109lm/W
Optics Beam of light:	Acrylic Opal Prism 85°
CCT Color temperature:	2700K 3000K 4000K TW2700-6500
CRI:	Ra >80
UGR:	<22
Operating temperature:	-20 ~ +45

Photometrics: Lumen intensity distribution



Acoustic specifications:

The acoustic design principle

Sliced is designed to hang above places where the sound is produced. Because of its large inside space sound is absorbed directly from the source.

Calculated acoustic surface area: 0,85 m²

aw (ISO 11654) = 0,45

SAA (ASTM - C423) = 0,45

Measurement of 9mm free hanging PET Felt sound absorption calculation in a reverberation room

