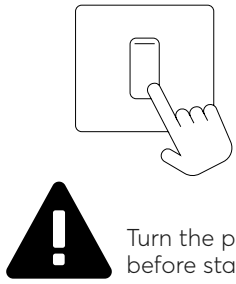
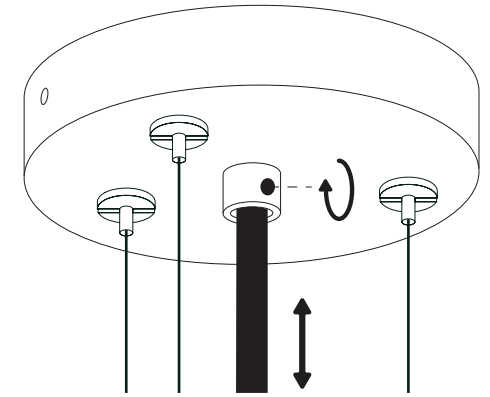
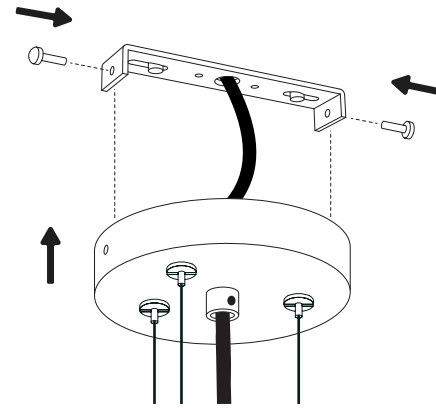
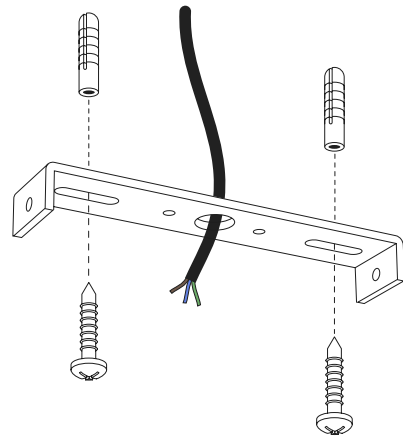


You Will Need

(not included)



Turn the power off before starting!

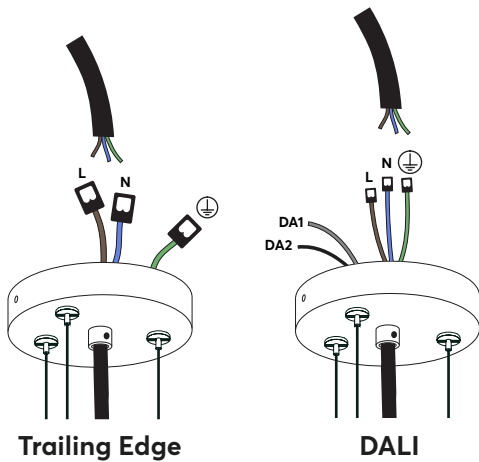


1 Before starting, please read the guidance on the back of this leaflet.

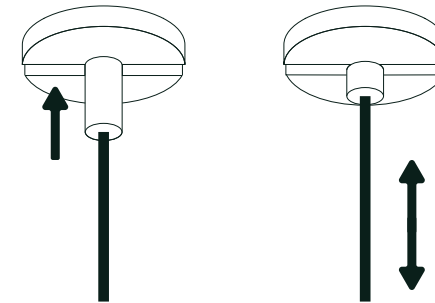
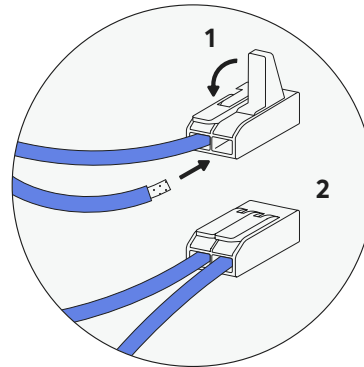
2 Drill holes and insert wall plugs. Line up the bracket, thread cable through and screw in place.

4 Connect the ceiling canopy to the bracket.

5 Use the side-screw to fine adjust the length of the cable.



Strip the cable
8-12mm
www.wago.nl
(for more info)



3 The above diagram shows two dimming options (DALI and Trailing Edge). Strip 8-12mm of the cable, exposing the wires. Insert the electrical cable into the wago connector and flip closed.

6 To adjust the length of the steel wires, press down to release the tensioning cable. **Your light is now ready to use!**

Thank you for your purchase!

Please read this manual carefully to ensure a safe and correct install of your light.

- The manufacturer is not responsible for damage caused by incorrect installation.
- Always turn the power off before installation, carry out maintenance or repairs.
- If in doubt, contact a qualified electrician.
- Keep light away from liquid or flammable objects.
- When installing, make sure cables are not crushed, damaged or corroded.
- If a cable is damaged, it must be replaced by a trained professional.
- This product contains an integrated LED light source, which can only be replaced within its 2 year warranty.



Assembled inside box

Material: PET Felt

Ceiling Rose: Black Metal

Weight: 3.3KG

IP20

Sliced E27: 1x E27 Max 10W

Sliced LED 1x Integrated LED

CCT: 2700/3000/4000/Tunable White

Dimming: DALI/Trailing Edge

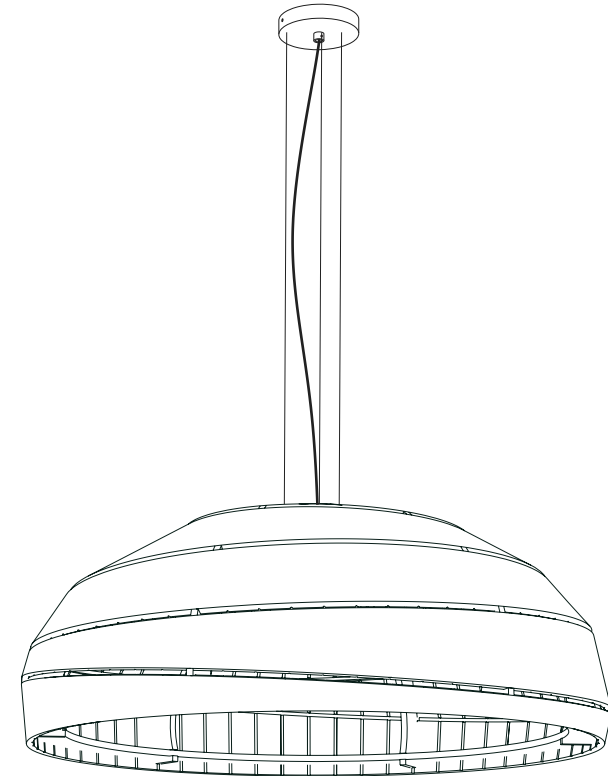
lumenear

Zoeterwoudseweg 21D • 2321 GM Leiden • The Netherlands

+31 (0)715352210 • info@lumenear.com • www.lumenear.com

lumenear

Acoustic Lighting



Sliced

Installation Guide