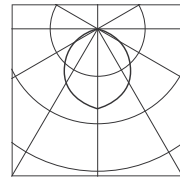




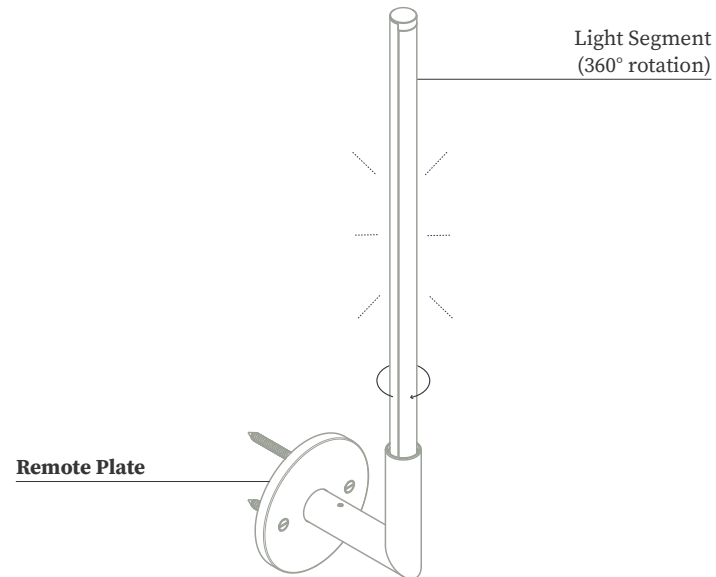
OVERVIEW



- Individual light segments can be surface-mounted to the wall in a vertical configuration
- Segments can individually rotate 360°
- 24 VDC output Class 2 constant voltage power supply
- 120–277 VAC input voltage
- Dimming options: 2-Wire/TRIAC/Forward Phase; 0–10 V; 3-Wire
- Wall brackets mount directly to surface
- Direct-mount
- CRI 95+
- R9 90+
- 90 LM/W delivered efficacy
- 300 LM per linear foot (maximum)
- Frosted lens with 90° beam spread



Example:
JPR-THFO-SING-SMR-18-XX-XX
18 in nominal

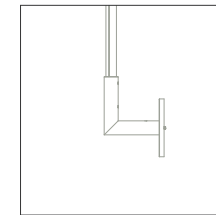


SPECIFICATION BUILDER

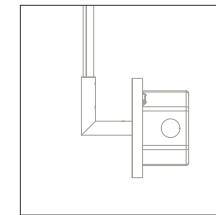
JPR-THFO-SING- - - -

1. Mounting	2. Segments	3. CCT	4. Finish
JBR Surface Mount to J-Box Remote Power Supply not included	12 12 in 18 18 in	27 2700 K 30 3000 K	01 Satin Brass 02 Black Oxide
JBP Surface Mount to J-Box Remote Power Supply included	24 24 in	35 3500 K 40 4000 K	03 Satin Nickel 40 English Bronze
JBJ Surface Mount to J-Box Local Power Supply included	See pages 48–50 for mounting/spacing configurations and dimensions for various fixture lengths.		Stock finishes shown. See Finishes for additional options.
SMR Surface Mount Remote Power Supply not included			
SMP Surface Mount Remote Power Supply included			

POWER FEED OPTIONS



Remote Plate
Ø 2.75 × 0.25 in
Ø 69.9 × 6.4 mm



Junction Box Cover Plate
Ø 4.8 × 0.5 in
Ø 121.9 × 12.7 mm

SYSTEM SPECIFICATIONS

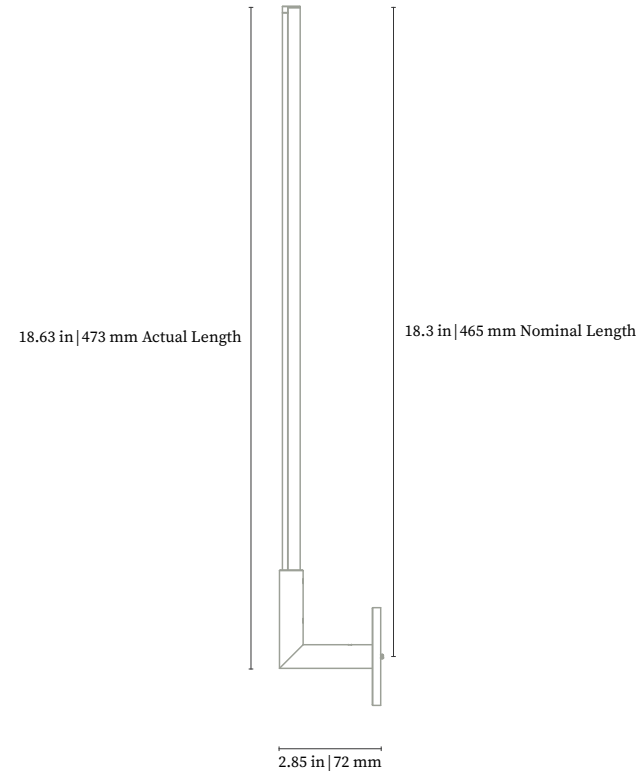
THIN Float — Surface Mount.
Single.

Dypt: 09/10/2025

SYSTEM LOGIC

Example:

JPR-THFO-SING-SMR-18-XX-XX
18 in nominal



SYSTEM SPECIFICATIONS

THIN Float — Surface Mount.
Single.

Dypt: 09/10/2025

CONFIGURATIONS — DATA

1. SKU	2. Nominal Length	3. Actual Length	4. Total Wattage (W)	5. LM
12	12 in	12.625 in	2.87	283
18	18 in	18.625 in	4.59	453
24	24 in	24.625 in	6.31	623

For the configuration drawings, see page 50.

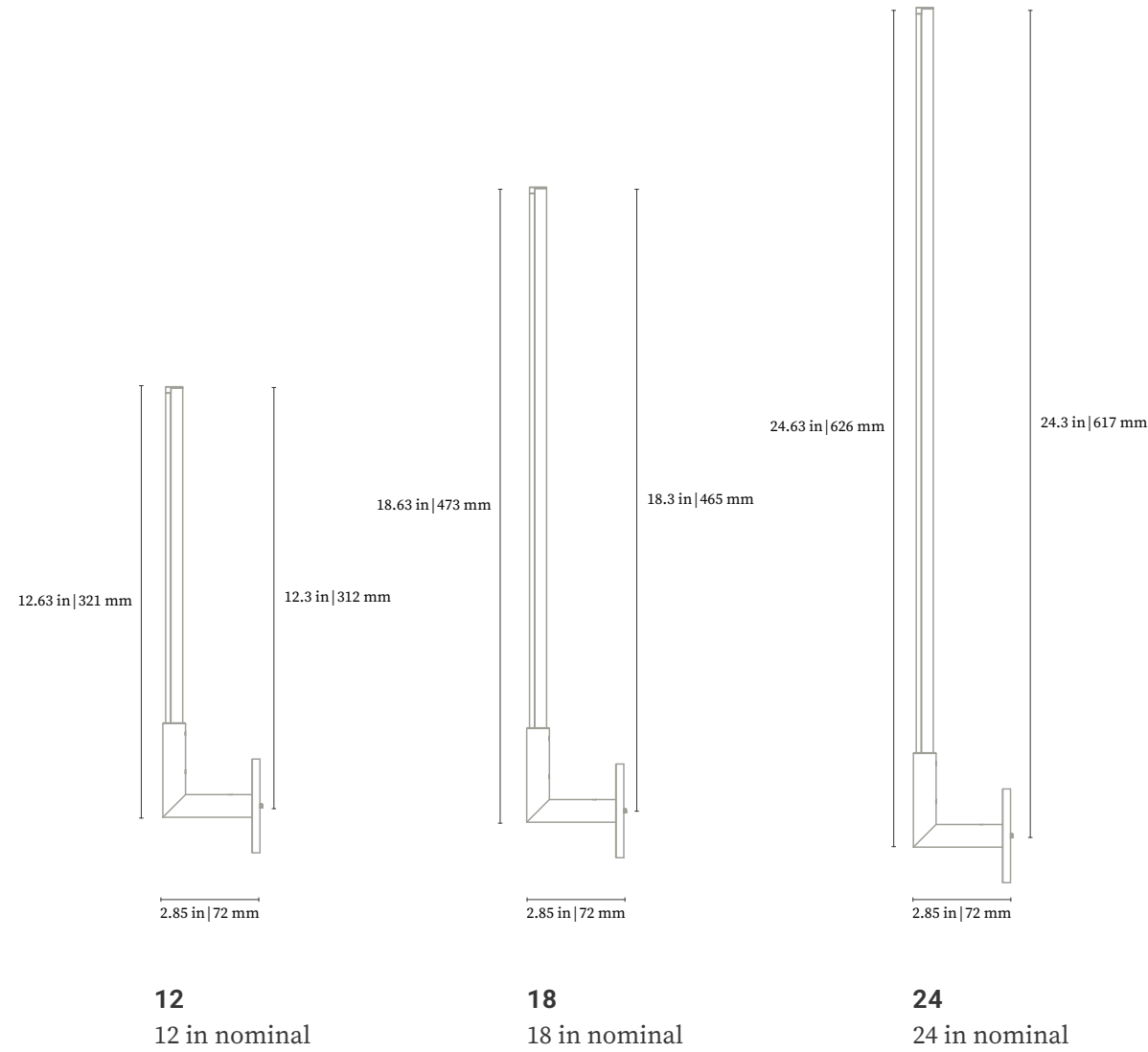


Patent www.juniperdesign.com/patents/



Patent www.juniperdesign.com/patents/

CONFIGURATIONS — DIAGRAMS

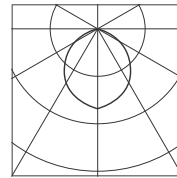


INTENTIONALLY LEFT BLANK

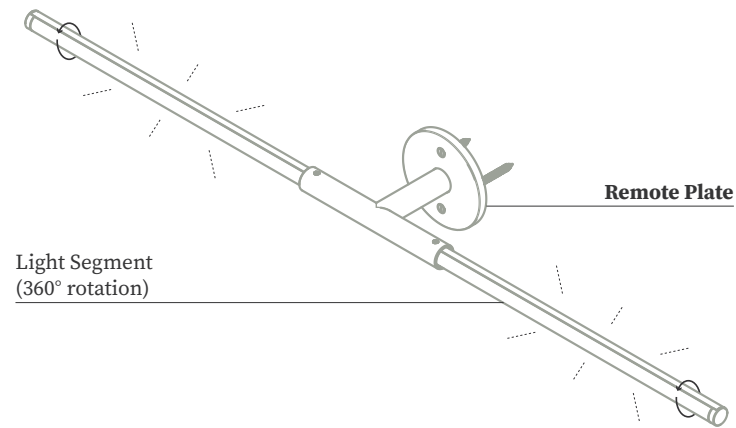
OVERVIEW



- Individual light segments can be surface-mounted to the wall in a vertical configuration
 - Segments can individually rotate 360°
 - 24 VDC output Class 2 constant voltage power supply
 - 120–277 VAC input voltage
 - Dimming options: 2-Wire/TRIAC/Forward Phase; 0–10 V; 3-Wire
 - Wall brackets mount directly to surface
 - Direct-mount (to ceiling)
-
- CRI 95+
 - R9 90+
 - 90 LM/W delivered efficacy
 - 300 LM per linear foot (maximum)
 - Frosted lens with 90° beam spread



Example:
JPR-THFO-RETR-SMR-24-XX-XX
24 in nominal

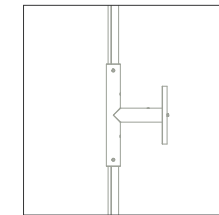


SPECIFICATION BUILDER

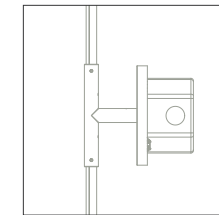
JPR-THFO-RETR- - - -

1. Mounting	2. Segments	3. CCT	4. Finish
JBR Surface Mount to J-Box Remote Power Supply not included	24 24 in 36 36 in	27 2700 K 30 3000 K	01 Satin Brass 02 Black Oxide
JBP Surface Mount to J-Box Remote Power Supply included	See pages 54–56 for mounting/spacing configurations and dimensions for various fixture lengths.	35 3500 K 40 4000 K	03 Satin Nickel 40 English Bronze
JBJ Surface Mount to J-Box Local Power Supply included			
SMR Surface Mount Remote Power Supply not included			Stock finishes shown. See Finishes for additional options.
SMP Surface Mount Remote Power Supply included			

POWER FEED OPTIONS



Remote Plate
Ø 2.75 × 0.25 in
Ø 69.9 × 6.4 mm



**Junction Box
Cover Plate**
Ø 4.8 × 0.5 in
Ø 121.9 × 12.7 mm

SYSTEM SPECIFICATIONS

THIN Float — Surface Mount.
Retro.

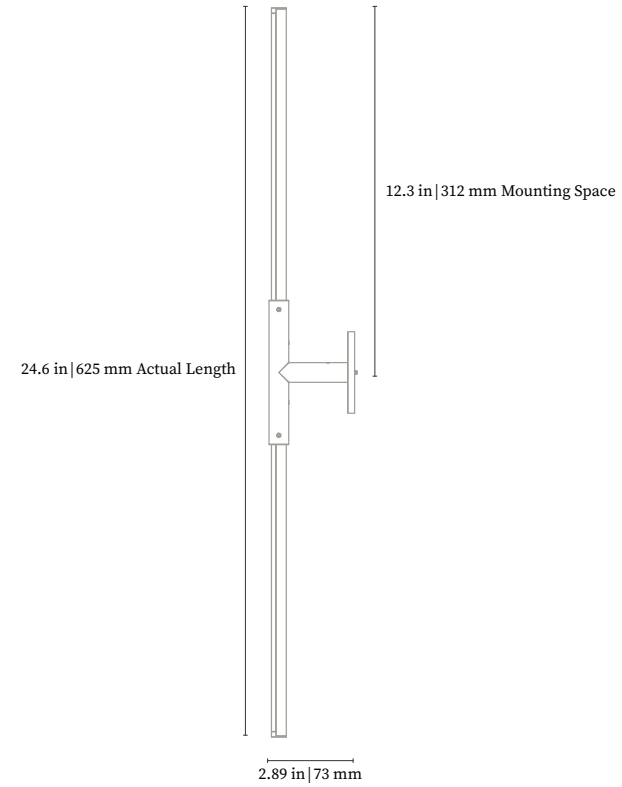
09/10/2025

SYSTEM LOGIC

Example:

JPR-THFO-RETR-SMR-24-XX-XX

24 in nominal



SYSTEM SPECIFICATIONS

THIN Float — Surface Mount.
Retro.

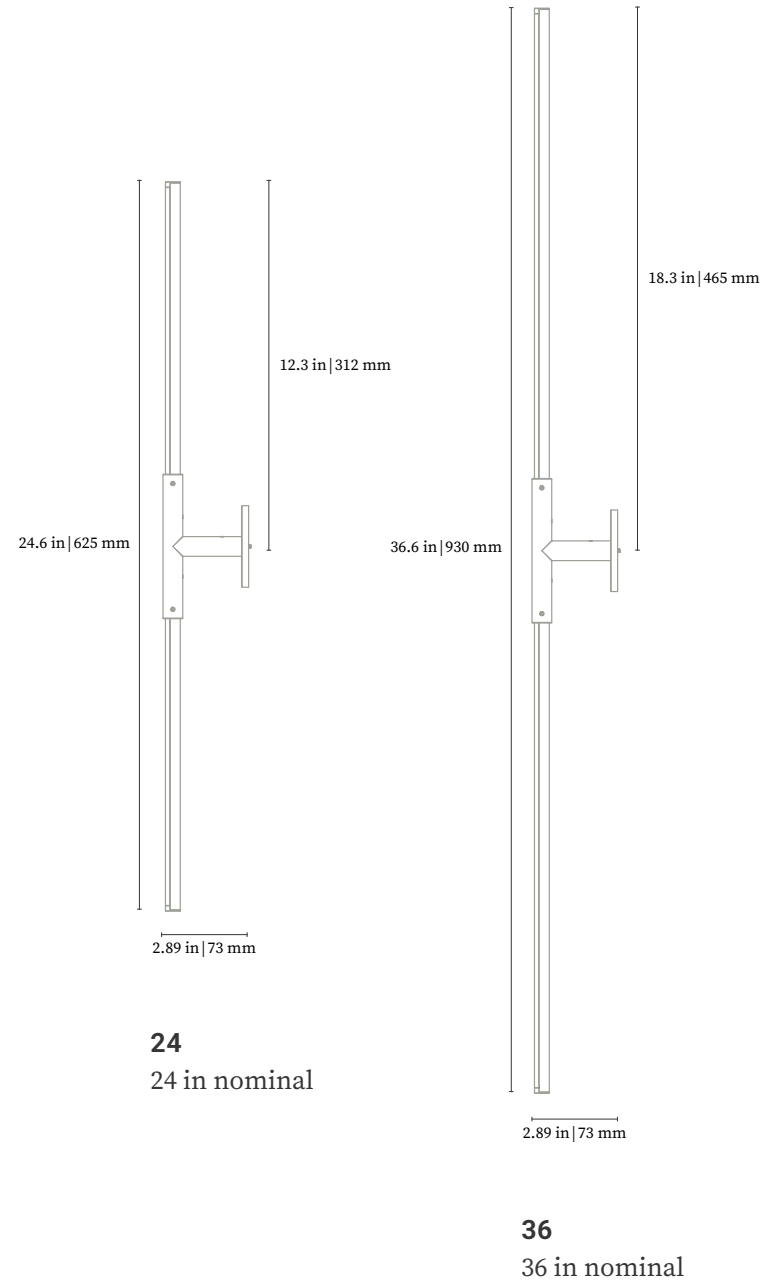
09/10/2025

CONFIGURATIONS — DATA

1. SKU	2. Nominal Length	3. Actual Length	4. Total Wattage (W)	5. LM
24	24 in	24.625 in	5.74	566
36	36 in	36.625 in	9.18	906

For the configuration drawings, see page 56.

CONFIGURATIONS — DIAGRAMS



INTENTIONALLY LEFT BLANK