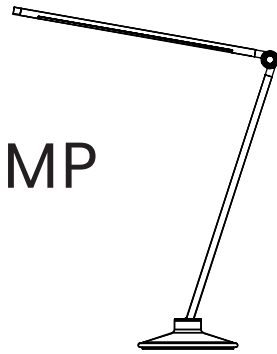


JUNIPER®

THIN TASK LAMP USER GUIDE



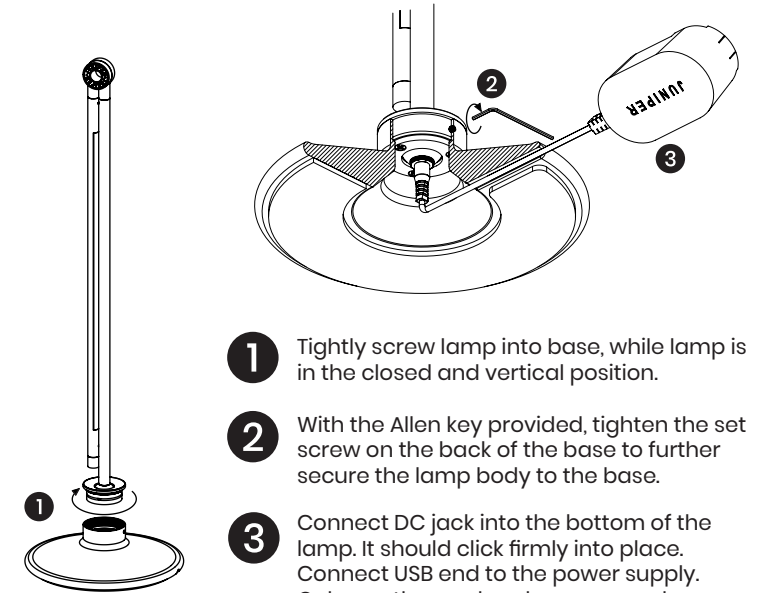
WELCOME

Thank you for purchasing Juniper's THIN Task Lamp! We hope you enjoy the experience of living with your lamp as much as we enjoyed bringing it to life. Drop us a line - we would love to hear your feedback. We are also here to help should you need support on any of our products.

ABOUT US

Our business was formed in 2011 around the idea that good design is essential and has the power to transform people and places in meaningful ways. We do this by integrating design with technology to create innovative lighting solutions for unique spaces. For us, that means reducing our products to their truest and simplest form. Honesty, passion, and craftsmanship are fundamental in our quest to bring upscale lighting to homes, offices, and hospitality spaces worldwide.

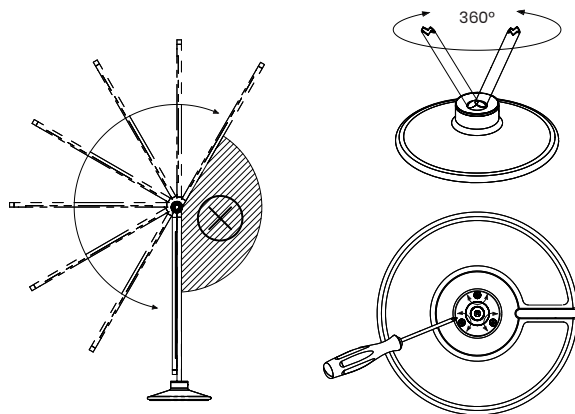
ASSEMBLY



- 1** Tightly screw lamp into base, while lamp is in the closed and vertical position.
- 2** With the Allen key provided, tighten the set screw on the back of the base to further secure the lamp body to the base.
- 3** Connect DC jack into the bottom of the lamp. It should click firmly into place. Connect USB end to the power supply. Only use the cord and power supply provided by Juniper to power your fixture.

USAGE

The THIN Task Lamp pivots around its central hinge and also rotates on its ball joint at the base of the lamp. Be cautious not to force the lamp outside of its usable range.



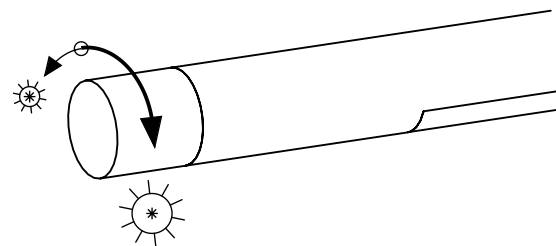
The tension of the ball joint can be adjusted by tightening or loosening the three screws on the bottom of the lamp.

OPERATING

The knob at the tip of the THIN Task Lamp is a dimmer and switch to turn the lamp on and off.

TURN CLOCKWISE

to switch the lamp 'ON' and adjust its brightness.



JUNIPER®

157 WATER STREET
SOUTHINGTON, CT 06489

INFO@JUNIPER-DESIGN.COM

+1.347.799.2915

WWW.JUNIPER-DESIGN.COM



@JUNIPERDESIGNNY

TECHNICAL SPECS

DIMENSIONS	S – 40 IN EXTENDED, 22 IN X 18 IN, 7 IN BASE T – 50 IN EXTENDED, 27 IN X 23 IN, 7.5 IN BASE
WEIGHT	7 LBS
LUMENS	S – 0-600LM (DIMMABLE) T – 0-850LM (DIMMABLE)
COLOR TEMPERATURE	WARM WHITE (3000K)
LIGHT QUALITY	90 CRI
LIFESPAN	50,000 HOURS
POWER CONSUMPTION	S – UP TO 6W, T – UP TO 7W
POWER SUPPLY	1A 12V AC/DC
MATERIALS	SOLID BRASS, CAST IRON, PMMA
CERTIFICATIONS	CE, cUL

CLEANING

Gentle care is required in order to retain the quality metal finish of the THIN Task Lamp for years to come. Like other natural metals, brass will patina over time, with the natural yellow hues intensifying over time. Juniper protects its brass with a mild matte lacquer to delay coloration of the metal, and to protect it from exposure to humidity and natural oils.

TO CLEAN

Gently wipe the lamp with a damp cloth to remove dirt, dust and fingerprints.

DO NOT

- Use chemicals or cleaning solutions.
- Use any liquids containing ammonia.
- Use abrasive surfaces on fixture.

TREATMENT

DO NOT

- Drop or apply excessive force on any part or joint of the lamp.
- Attempt to disassemble or modify it in any way except for recycling (see next section).
- Use the lamp for any purpose other than a table lamp.
- Use outdoors.

Always use caution when transporting to avoid damage. Please refer to our Terms & Conditions section for returns and warranties. Contact your Juniper retailer or Juniper directly should the lamp not operate as described.

END-OF-LIFE

We have taken much care in the design of the THIN Task Lamp to minimize material waste. Here are some suggestions on how to dispose of your lamp after what we hope to be a very long life:

- The cast iron base and brass tubes (once carefully disassembled) can be placed in your recycling bin. If these materials are not accepted in your town, then they can be given to, or sold at a local metal salvage yard. Due to their value, both metals will be willfully accepted.
- Secondly, as the THIN does not contain any toxic materials, it can be safely discarded as household waste.
- All packaging materials can be recycled in your paper bin.
- Contact us for advice on how to disassemble and recycle this product.

TERMS & CONDITIONS

RETURNS

No return of goods will be accepted without written consent and shipping instructions from Juniper. This also applies to returns of non-defective merchandise. Return of non-defective, unaltered, and uninstalled goods, when approved, must be made within 30 days from the date of shipment, may be subjected to a 15% restocking charge, and must be in new, resalable condition in the original packaging. Special, made-to-order, custom finished or discontinued merchandise is not subject to return. Return of defective goods must be freight prepaid at the purchaser's expense and are regulated by the Juniper warranty policy and must follow Juniper return procedure. Client must submit a Return Merchandise Authorization (RMA) form before returning, exchanging, or repairing any product. If a product is in need of repair, client should contact Juniper or your Juniper retailer directly.

WARRANTY

Juniper warrants its products to be free from defects in materials and workmanship for a period of one (1) year from date of delivery. Electrical components including LEDs and other electrical elements excluding external transformers will be warranted for five (5) years from the date of delivery. During this warranty period, Juniper will repair, or replace, at its option, free of charge, products that are proven defective. For updated exclusions and details, please visit our website.

INFO@JUNIPER-DESIGN.COM | +1.347.799.2915 | WWW.JUNIPER-DESIGN.COM

THE THIN FAMILY

Our THIN Task Lamp family, part of the larger THIN Collection, includes the THIN Floor Lamp, and the S and T models with tabletop, wall-mount, and desk-inset base options. Each size complements the collection to create a series of minimal contemporary task lighting for residential, commercial, and hospitality spaces.

