

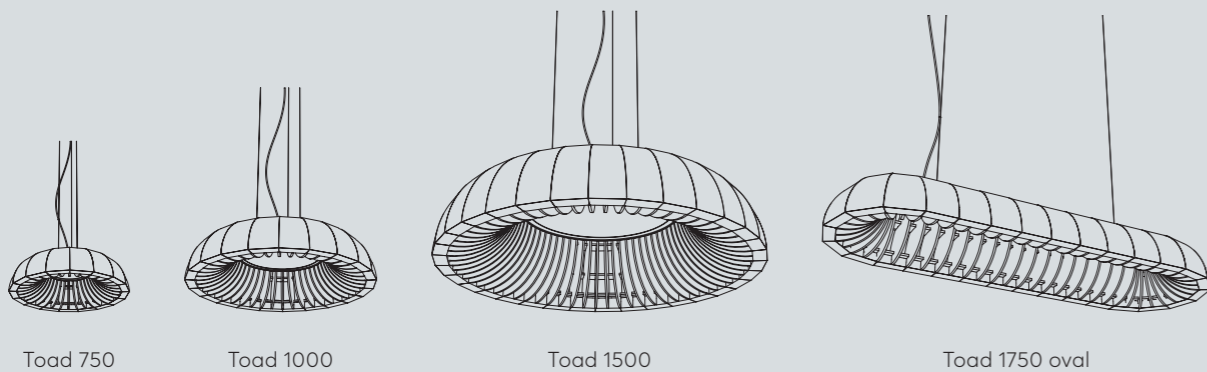
# Toad

## Where nature inspires silence and light

Toad Light seamlessly unites functionality, acoustics, and aesthetics. Inspired by soft, organic forms, its spherical shade houses a high-quality LED panel that emits a warm, diffused light creating an inviting and comfortable atmosphere.

Inside, organically shaped slats enhance both sound absorption and light diffusion. Combined with its substantial mass and generous surface area, Toad delivers outstanding acoustic performance in any space.

Toad is available in a variety of shapes, sizes, and PET Felt colors. always finished with a light-colored interior to ensure optimal light reflection. The LED panel provides even illumination, with options in color temperature and dimming to suit different settings and moods.





**Material:**  
 PET Felt (polyethylene terephthalate)  
 Fireclass: EN13501-1 Class B  
 Produced in The Netherlands

**Fixture:**  
 2m black textile cable  
 3 black metal wires with adjustable griplock  
 Black ceiling cap

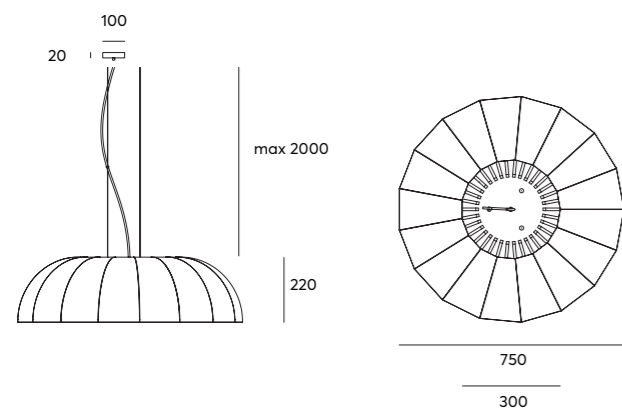
**Lighting properties:**

- Integrated LED  
17W | 1850lm
- Dimmable  
Trailing edge (RC) | DALI
- CCT 2700 | 3000K | 4000K  
TW 2700-6500K
- IP20

**Acoustic properties:**

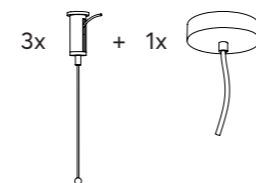
- 1,98 m<sup>2</sup> of acoustic absorption  
material of aw 0,45
- Diffusion due to the 'mushroom' design

**Dimensions:**



**Total weight gross | net:** 5,5 | 4,3kg  
**Parcel size:** 800x800x400mm

**Mounting:**



**Inside Colors:**



**Outside Colors:**



**Light source specifications:**

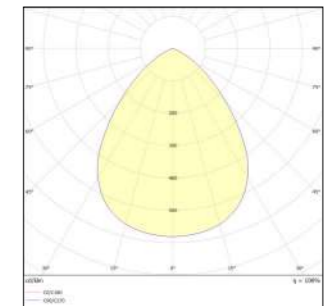
Based on calculations of Toad in colour 26\_Ocean (outside) / 11\_Fog grey (inside) | 3000K | Trailing edge



LED power:	17W
Connection voltage:	220-240V AC
Luminous Flux 2700K/3000K/4000K:	1770 lm / 1812lm / 1960lm
Life time:	L80/B20 100.000h   L90 50.000h
Driver:	Included   Integrated
Control   Dimmable:	Trailing Edge   DALI
Power factor: 2700K/3000K/4000K:	104lm/W 107lm/W 116lm/W
Optics   Beam of light:	Prismatic diffusor
CCT Color temperature:	2700K 3000K 4000K TW2700-6500
CRI:	Ra >80
UGR:	<22
Operating temperature:	-20 ~ +45

**Photometrics:**

Lumen intensity distribution



**Acoustic specifications:**

The acoustic design principle.

Toad is designed to catch sound directly from the space where sound is created. Such as meeting rooms or dining tables. Because of its large open design, soundwaves will travel inside the shade and the mushroom like slats absorb the sound.

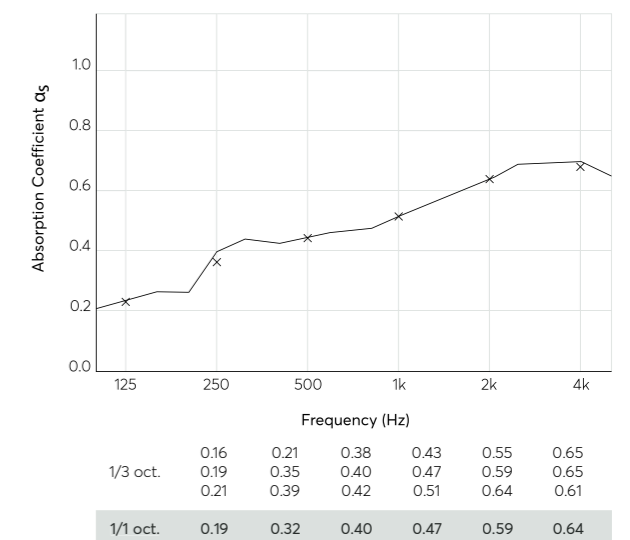
The LED element, will reflect the soundwaves

**Calculated acoustic surface area:** 1,98 m<sup>2</sup>

**aw (ISO 11654) = 0,45**

SAA (ASTM - C423) = 0,45

**Measurement of 9mm free hanging PET Felt**  
 sound absorption calculation in a reverberation room





**Material:**  
 PET Felt (polyethylene terephthalate)  
 Fireclass: EN13501-1 Class B  
 Produced in The Netherlands

**Fixture:**  
 2m black textile cable  
 3 black metal wires with adjustable griplock  
 Black ceiling cap

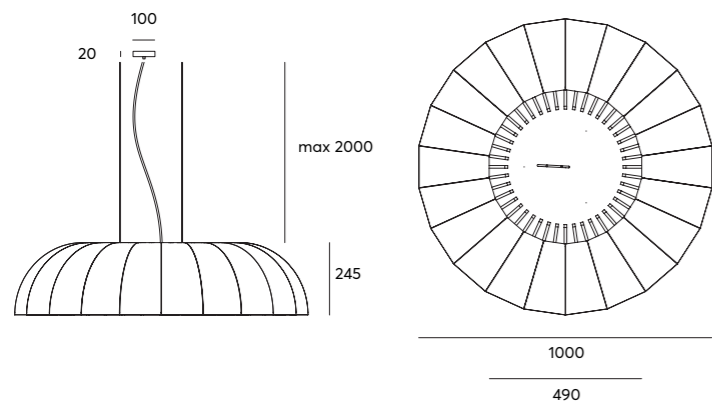
**Lighting properties:**

Integrated LED 36W | 3560lm  
 Dimmable Trailing edge (RC) | DALI  
 CCT 2700 | 3000K | 4000K TW 2700-6500K  
 IP20

**Acoustic properties:**

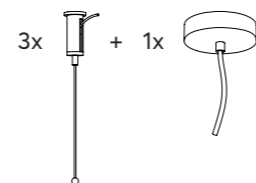
3,27 m<sup>2</sup> of acoustic absorption material of aw 0,45  
 Diffusion due to the 'mushroom' design

**Dimensions:**



**Total weight gross | net:** 10,6 | 9,4kg  
**Parcel size:** 1000x1000x400mm

**Mounting:**



**Inside Colors:**



**Outside Colors:**



**Light source specifications:**

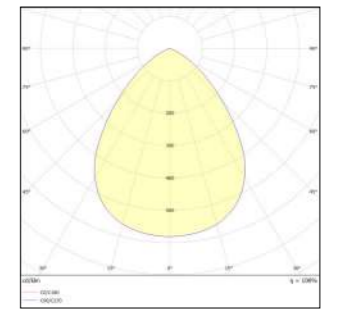
Based on calculations of Toad in colour 26\_Ocean (outside) / 11\_Fog grey (inside) | 3000K | Trailing edge



LED power:	36W
Connection voltage:	220-240V AC
Luminous Flux: 2700K/3000K/4000K	3130lm / 3280lm / 3480
Life time:	L80/B20 100.000h   L90 50.000h
Driver:	Included   Integrated
Control/Dimmable:	Trailing Edge   DALI
Power factor: 2700K/3000K/4000K	87lm/W 99lm/W 97lm/W
Optics   Beam of light:	Prismatic diffuser
CCT Color temperature:	2700K 3000K 4000K TW2700-6500
CRI:	Ra >80
UGR:	<22
Operating temperature:	-20 ~ +45

**Photometrics:**

Lumen intensity distribution



**Acoustic specifications:**

The acoustic design principle.

Toad is designed to catch sound directly from the space where sound is created. Such as meeting rooms or dining tables. Because of its large open design, soundwaves will travel inside the shade and the mushroom like slats absorb the sound.

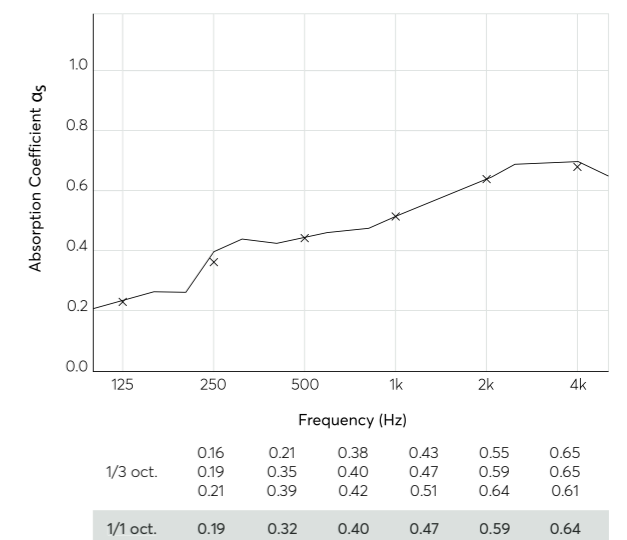
The LED element, will reflect the soundwaves

**Calculated acoustic surface area:** 3,27 m<sup>2</sup>

**aw (ISO 11654) = 0,45**

SAA (ASTM - C423) = 0,45

**Measurement of 9mm free hanging PET Felt**  
 sound absorption calculation in a reverberation room





**Material:**  
 PET Felt (polyethylene terephthalate)  
 Fireclass: EN13501-1 Class B  
 Produced in The Netherlands

**Fixture:**  
 2m black textile cable  
 4 black metal wires with adjustable griplock  
 Black ceiling cap

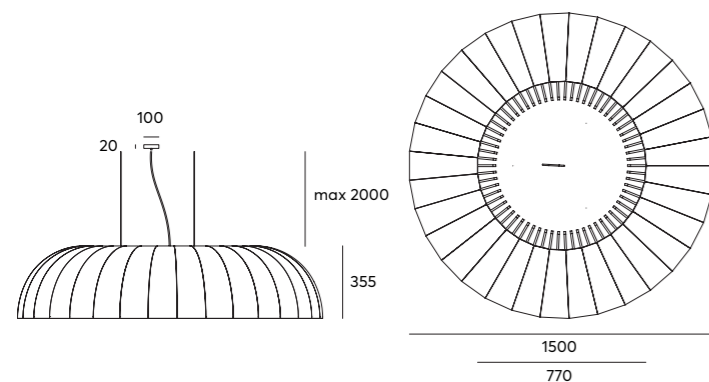
**Lighting properties:**

Integrated LED 64W | 6870lm  
 Dimmable DALI  
 CCT 2700K | 3000K | 4000K  
 IP20

**Acoustic properties:**

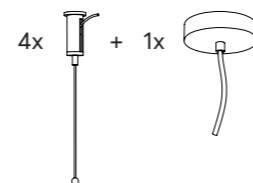
8,84 m<sup>2</sup> of acoustic absorption material of aw 0,45  
 Diffusion due to the 'mushroom' design

**Dimensions:**



**Total weight gross | net:** 28,9 | 25,7kg  
**Parcel size:** 1500x1500x400mm

**Mounting:**



**Inside Colors:**



**Outside Colors:**



**Light source specifications:**

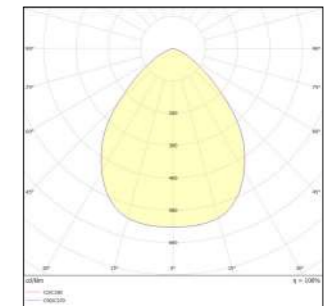
Calculations of LED panel only. May change due to PET Felt Colour choice



LED power: 2700K/3000K/4000K	64W
Connection voltage:	220-240V AC
Luminous Flux: 2700K/3000K/4000K	6230lm / 6870lm / 7360lm
Life time:	L80/B20 100.000h
Driver:	Included   Integrated
Control   Dimmable:	DALI
Power factor: 2700K/3000K/4000K	113lm/W 107lm/W 115lm/W
Optics   Beam of light:	Prismatic diffuser
CCT Color temperature:	2700K   3000K 4000K
CRI:	Ra>80
UGR:	<19
Operating temperature:	-20 ~ +45

**Photometrics:**

Lumen intensity distribution



**Acoustic specifications:**

The acoustic design principle.

Toad is designed to catch sound directly from the space where sound is created. Such as meeting rooms or dining tables. Because of its large open design, soundwaves will travel inside the shade and the mushroom like slats absorb the sound.

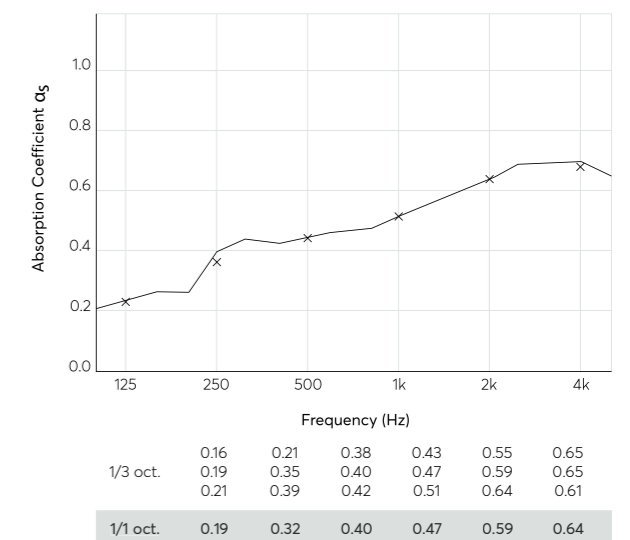
The LED element, will reflect the soundwaves

**Calculated acoustic surface area: 8,84 m<sup>2</sup>**

**aw (ISO 11654) = 0,45**

SAA (ASTM - C423) = 0,45

**Measurement of 9mm free hanging PET Felt**  
 sound absorption calculation in a reverberation room







Glueless assembly

**Material:**  
 PET Felt (polyethylene terephthalate)  
 Fireclass: EN13501-1 Class B  
 Produced in The Netherlands

**Fixture:**  
 2m black textile cable  
 2 black metal wires with adjustable griplock  
 Black ceiling cap

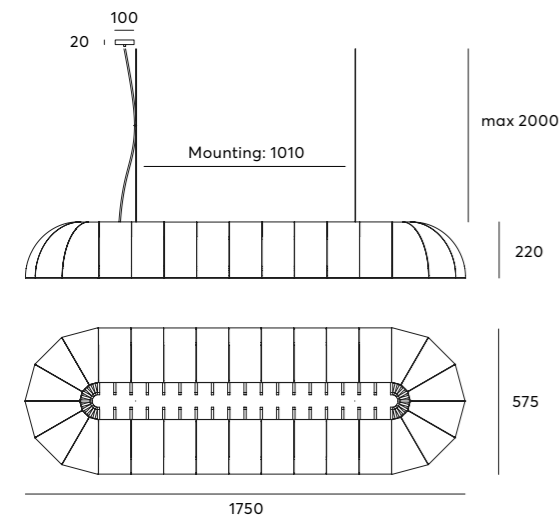
**Lighting properties:**

Integrated LED 29W   3510lm	Dimmable Non Dim   Trailing edge   DALI
3000K   4000K	IP20

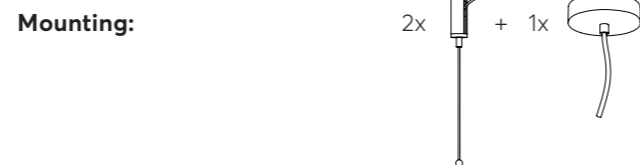
**Acoustic properties:**

1,98 m <sup>2</sup> of acoustic absorption material of aw 0,45
Diffusion due to the 'mushroom' design

**Dimensions:**



**Total weight gross | net:** 10,9 | 9,8kg  
**Parcel size:** 1800x600x250mm



**Inside Colors:**



**Outside Colors:**



**Light source specifications:**

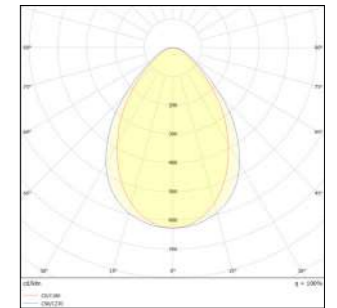
**Prismatic difusor** (standard / recommended)



LED power:	29W
Connection voltage:	220-240V AC
Luminous Flux: 3000K/4000K	3510lm / 3620
Life time:	L80/B20 100.000h
Driver:	Included   Integrated
Control   Dimmable:	Trailing Edge   DALI / Push
Power factor: 3000K/4000K	121lm/W 125lm/W
Optics:	Prismatic diffuser
CCT Color temperature:	3000K 4000K
CRI:	Ra>80
UGR:	<19
Operating temperature:	-20 ~ +45

**Photometrics:**

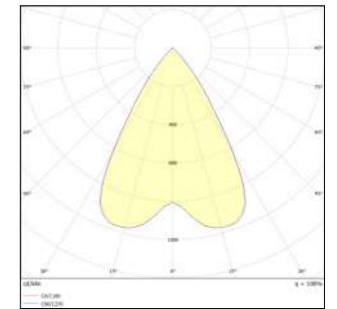
Lumen intensity distribution



**Cubic reflector**



LED power:	34W
Connection voltage:	220-240V AC
Luminous Flux: 3000K/4000K	4140lm / 4300lm
Life time:	L90/B10 100.000h
Driver:	Included   Integrated
Control   Dimmable:	Not dimmable   DALI
Power factor: 3000K/4000K	122lm/W 126lm/W
Optics:	Cubic reflector
CCT Color temperature:	3000K 4000K
CRI:	Ra>80
UGR:	<10
Operating temperature:	-20 ~ +45



**Acoustic specifications:**

The acoustic design principle

Toad is designed to catch sound directly from the space where sound is created. Such as meeting rooms or dining tables.

**Calculated acoustic surface area:** 1,98 m<sup>2</sup>

**aw (ISO 11654) = 0,45**

SAA (ASTM - C423) = 0,45

