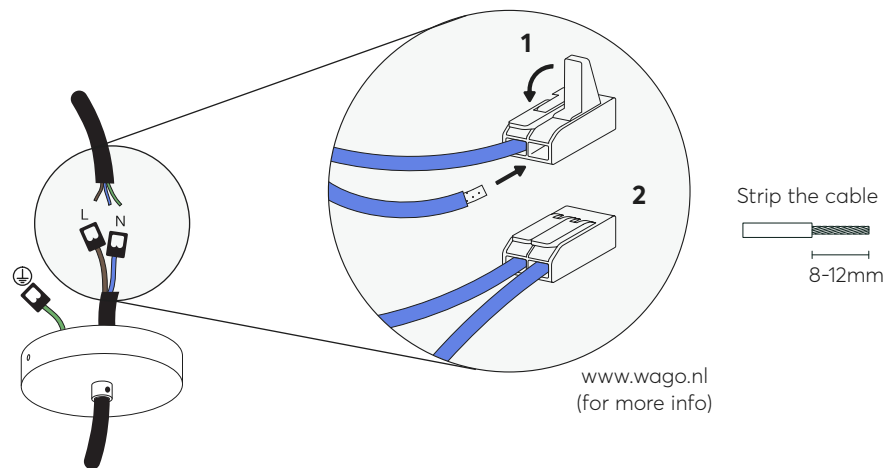


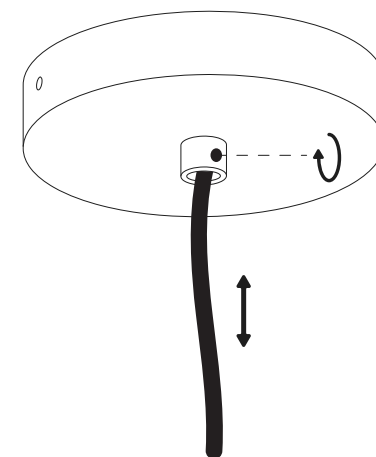
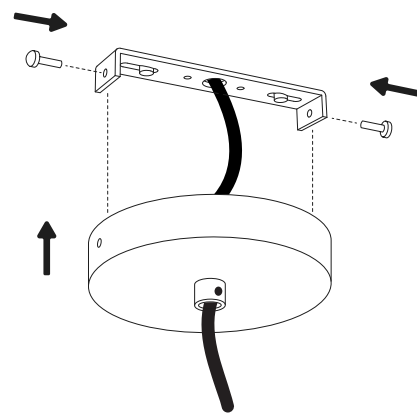
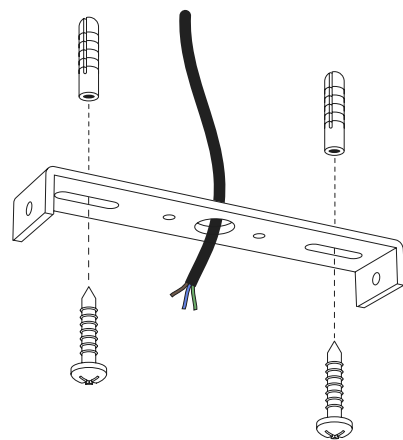
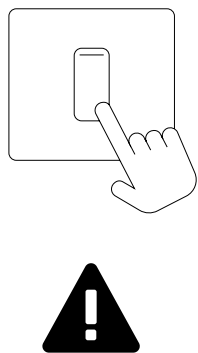
**Thank you for your purchase!**  
**Please read this manual carefully to ensure a safe and correct install of your light.**

- The manufacturer is not responsible for damage caused by incorrect installation.
- Always turn the power off before installation, carry out maintenance or repairs.
- If in doubt, contact a qualified electrician.
- Keep light away from liquid or flammable objects.
- When installing, make sure cables are not crushed, damaged or corroded.
- If a cable is damaged, it must be replaced by a trained professional.
- This product contains an integrated LED light source, which can only be replaced within its 2 year warranty.



## You Will Need

(not included)



**1** Before starting, please read the guidance above.

**2** Drill holes and insert wall plugs. Line up the bracket, thread cable through and screw in place.

**4** Connect the ceiling canopy to the bracket.

**5** Use the side-screw to fine adjust the height of the cable.  
**Your light is now ready to use!**

**3** Strip 8-12mm of the cable, exposing the wires. Insert the electrical cable into the wago connector and flip closed.

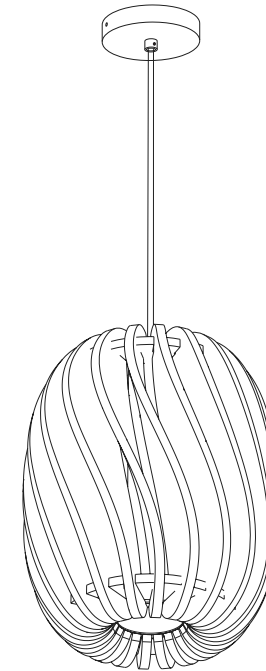
# lumēnear

Acoustic Lighting



Assembled inside box  
Material: PET Felt  
Ceiling Rose: Black Metal  
Weight  
Standard: 1.2KG  
XL: 2.4KG  
IP20

CCT: 2700K/3000K/4000K  
Dimmable: Trailing Edge



## Twist

---

Installation Guide

lumēnear

Zoeterwoudseweg 21D • 2321 GM Leiden • The Netherlands  
+31 (0)715352210 • [info@lumenear.com](mailto:info@lumenear.com) • [www.lumenear.com](http://www.lumenear.com)