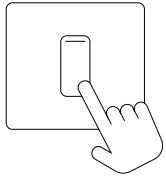
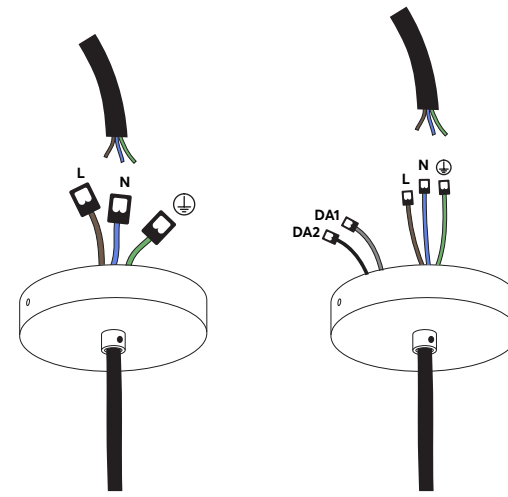
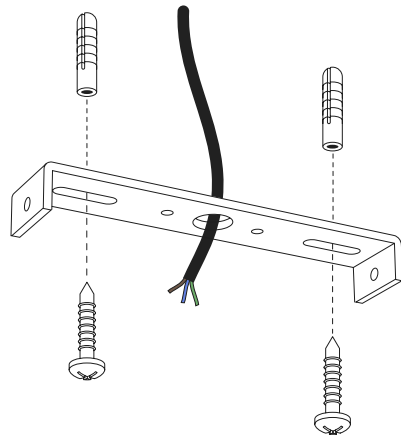


You Will Need

(not included)



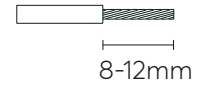
Turn the power off before starting!



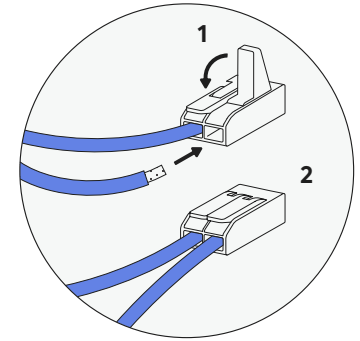
Trailing Edge

DALI

Strip the cable



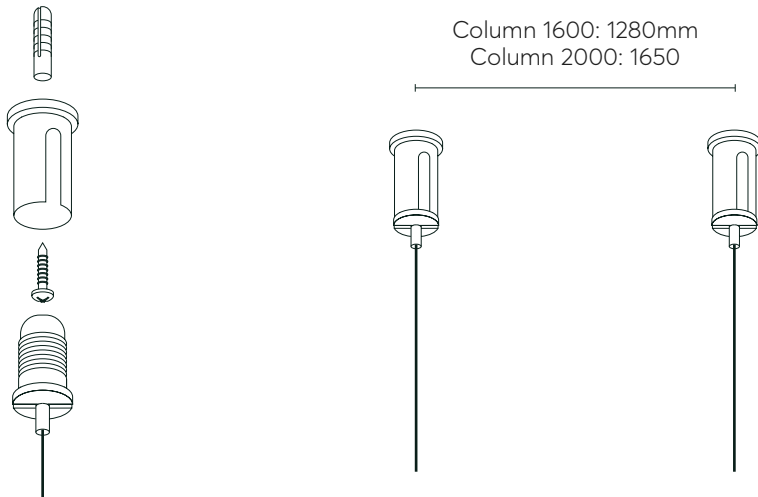
www.wago.nl
(for more info)



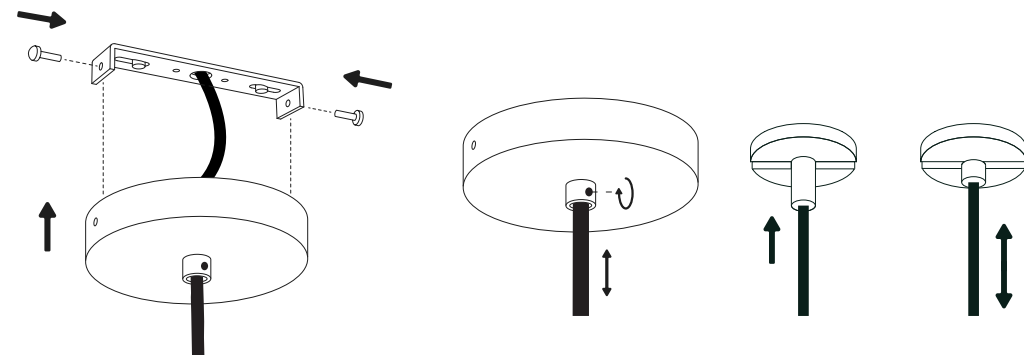
1 Before starting, please read the guidance on the back of this leaflet.

2 Drill holes and insert wall plugs. Line up the bracket, thread cable through and screw in place.

4 The above diagram shows two dimming options (DALI and Trailing Edge). Strip 8-12mm of the cable, exposing the wires. Insert the electrical cable into the wago connector and flip closed.



3 Screw the tensioners into the ceiling before adjusting the length, as shown in the above diagram.



5 Connect the ceiling canopy to the bracket using 2 screws.

6 Fine adjust the cable using the side screw. Adjust the tensioners as shown above. **Your light is now ready to use!**

Thank you for your purchase!

Please read this manual carefully to ensure a safe and correct install of your light.

- The manufacturer is not responsible for damage caused by incorrect installation.
- Always turn the power off before installation, carry out maintenance or repairs.
- If in doubt, contact a qualified electrician.
- Keep light away from liquid or flammable objects.
- When installing, make sure cables are not crushed, damaged or corroded.
- If a cable is damaged, it must be replaced by a trained professional.
- This product contains an integrated LED light source, which can only be replaced within its 2 year warranty.



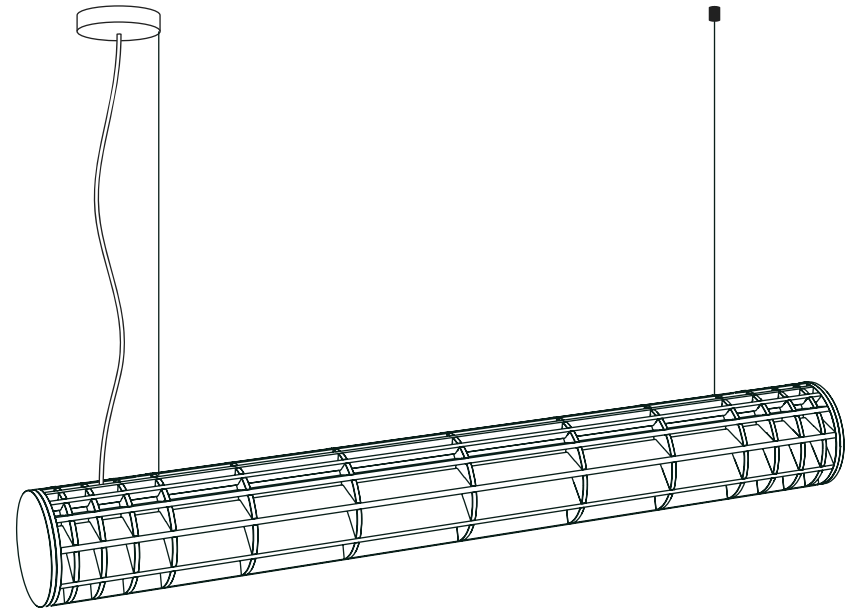
Assembled inside box
Material: PET Felt
Ceiling Rose: Black Metal
Weight: Column 1600: 2.5KG
Column 2000: 3.8KG
IP20
CCT: 2700/3000/4000
Dimming: DALI/Trailing Edge

lumènear

Zoeterwoudseweg 21D • 2321 GM Leiden • The Netherlands
+31 (0)715352210 • info@lumenear.com • www.lumenear.com

lumènear

Acoustic Lighting



Column

Installation Guide