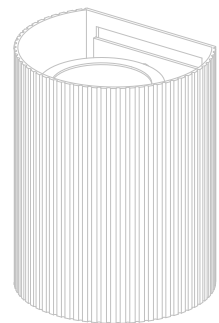
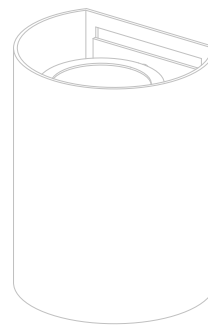
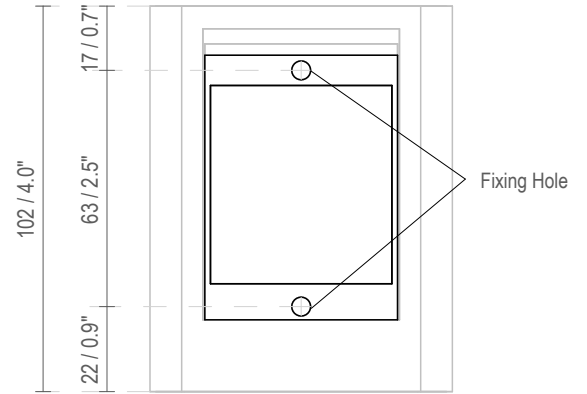
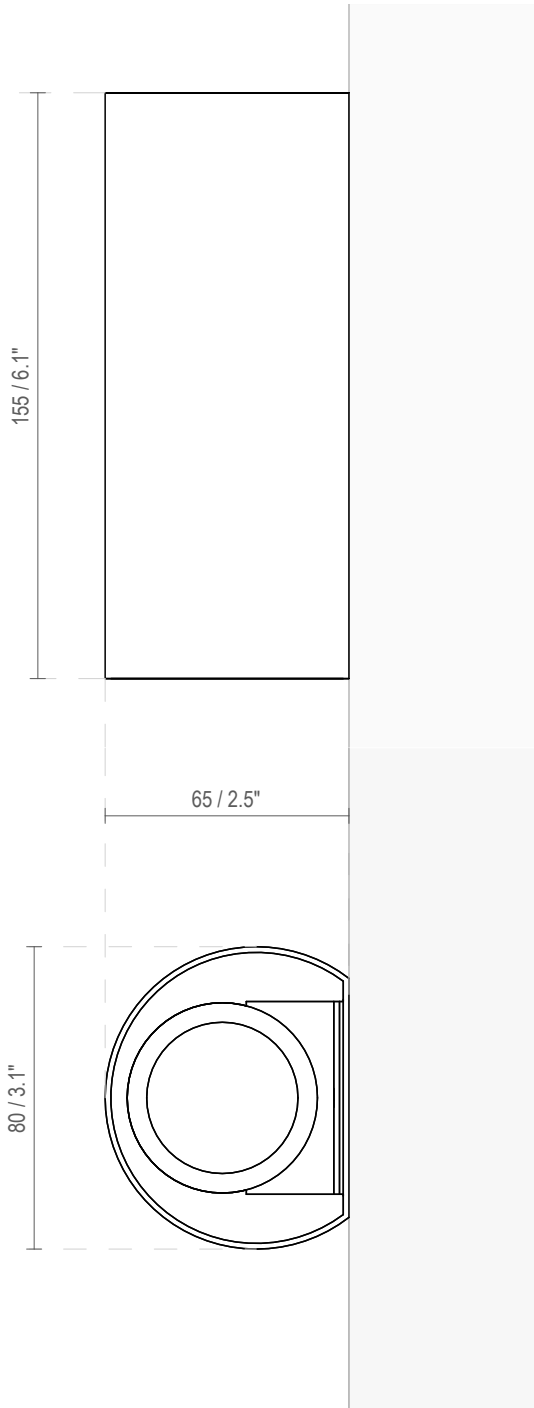


Fixing Dimensions





Fixing Dimensions

