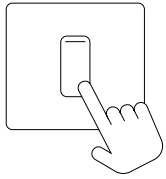
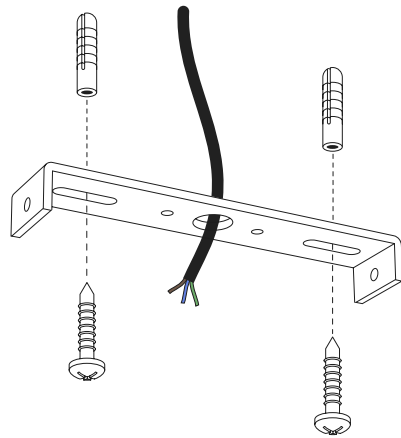


You Will Need

(not included)

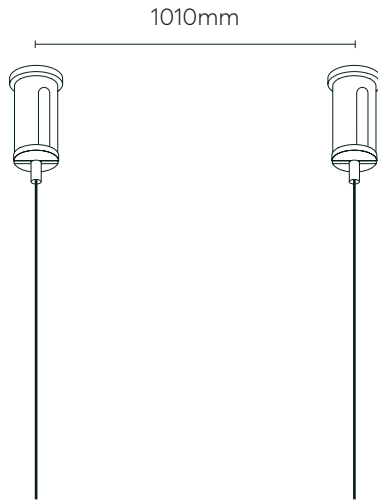
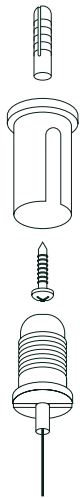


Turn the power off before starting!

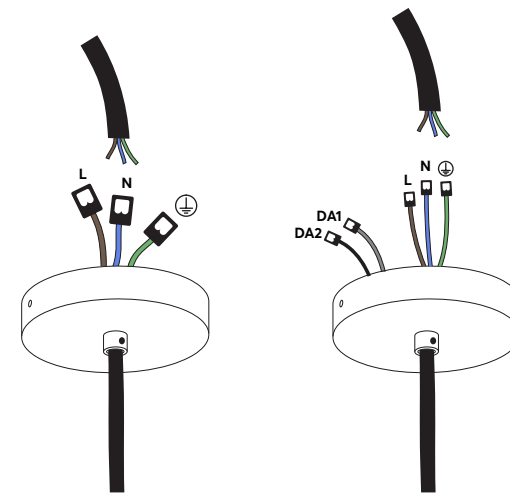


1 Before starting, please read the guidance on the back of this leaflet.

2 Drill holes and insert wall plugs. Line up the bracket, thread cable through and screw in place.



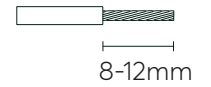
3 Screw the tensioners into the ceiling before adjusting the length, as shown in the above diagram.



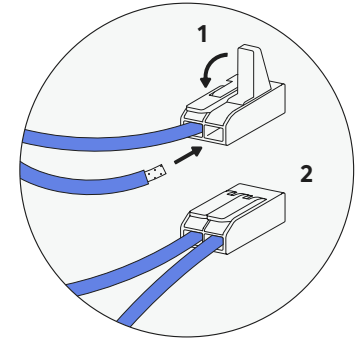
Non Dimmable

DALI

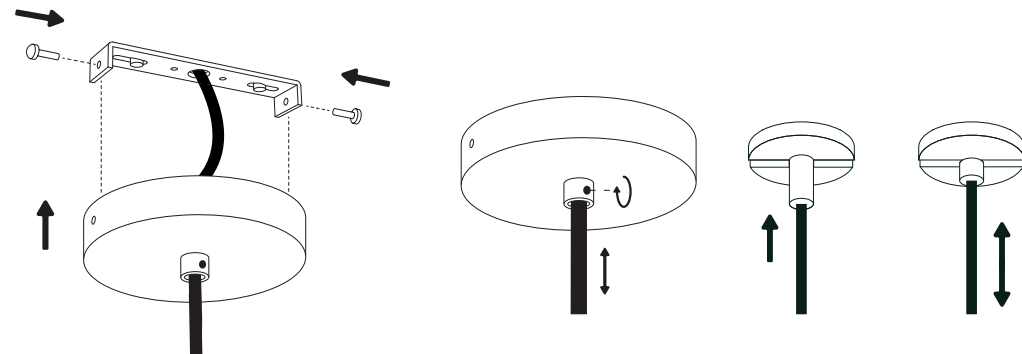
Strip the cable



www.wago.nl
(for more info)



4 The above diagram shows two dimming options (DALI and Trailing Edge). Strip 8-12mm of the cable, exposing the wires. Insert the electrical cable into the wago connector and flip closed.



5 Connect the ceiling canopy to the bracket using 2 screws.

6 Fine adjust the cable using the side screw. Adjust the tensioners as shown above. **Your light is now ready to use!**

Thank you for your purchase!

Please read this manual carefully to ensure a safe and correct install of your light.

- The manufacturer is not responsible for damage caused by incorrect installation.
- Always turn the power off before installation, carry out maintenance or repairs.
- If in doubt, contact a qualified electrician.
- Keep light away from liquid or flammable objects.
- When installing, make sure cables are not crushed, damaged or corroded.
- If a cable is damaged, it must be replaced by a trained professional.
- This product contains an integrated LED light source, which can only be replaced within its 2 year warranty.



Assembled inside box
Material: PET Felt
Ceiling Rose: Black Metal
Weight: 9.8KG
IP20

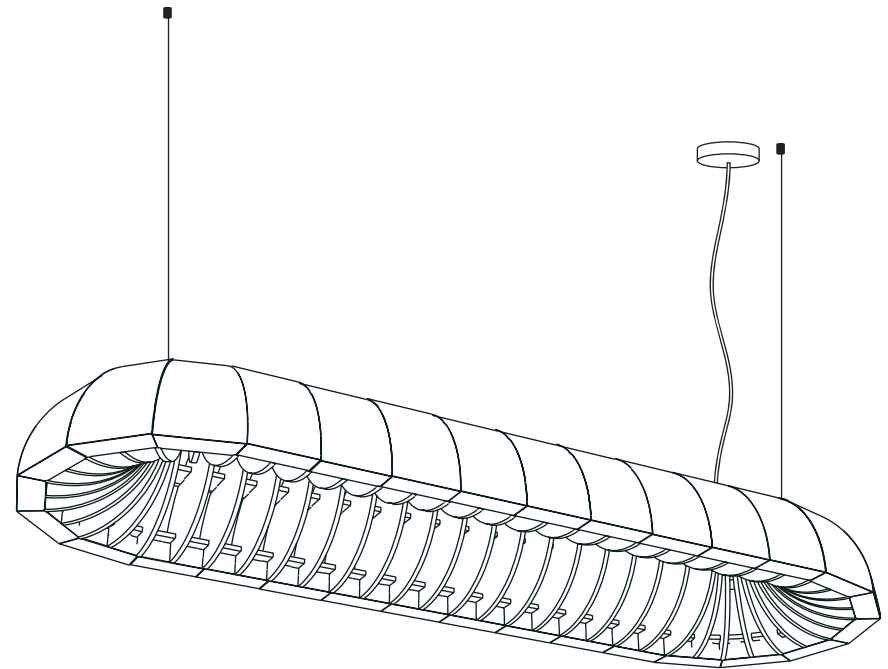
CCT: 3000/4000
Dimming: DALI/Push/Trailing Edge

luménear

Zoeterwoudseweg 21D • 2321 GM Leiden • The Netherlands
+31 (0)715352210 • info@lumenear.com • www.lumenear.com

luménear

Acoustic Lighting



Toad 1750

Installation Guide