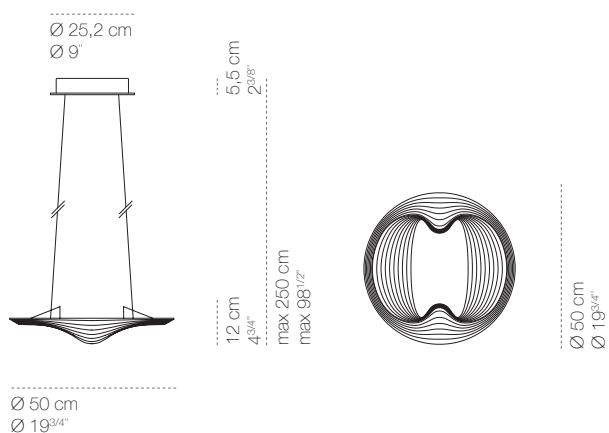


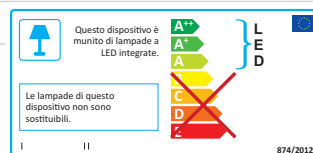
# Sestessa cabrio led cob



luminaire	
materials	aluminium
environment	interiors
mounting location	ceiling
emission	diffused and indirect light
weight	4,6 Kg
voltage	230V
ballast	2 x integrated electronic dimmable
dimming	phase-cut
insulation class	1
IP classification	IP20
certifications	CE
design	Luta Bettonica, Mario Melocchi, 2013

light source	
sorgente	LED
number of LED	2
power	2 x 26W
CRI	= 95
flux	2 x 2.400 lm
colour temperature	2.800K
	available at 3.000K / 3.500K / 4.000K
	for orders ≥ 5 pieces

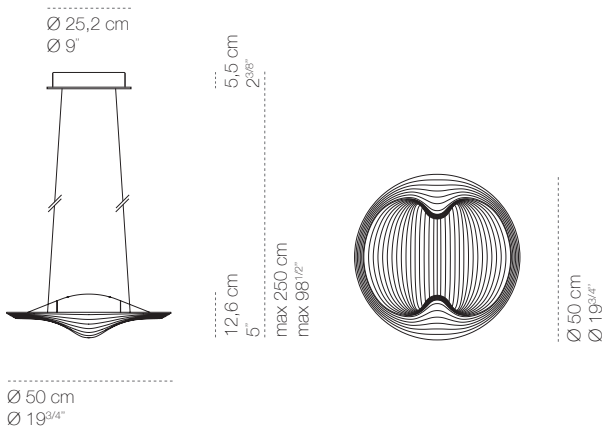
energy label



finishes	
white cod 234H	colour on demand monocolour bicolour

versions		
<b>Sestessa</b> sospesa led cob white cod 235H	<b>Sestessa</b> plafone led cob white cod 237H	<b>Sestessa</b> semincasso led cob white cod 236H

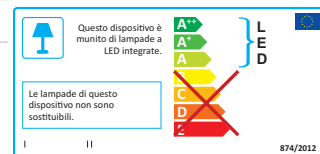
# Sestessa sospesa led cob



luminaire	
materials	aluminium
environment	interiors
mounting location	ceiling
emission	indirect light
weight	5,9 Kg
voltage	230V
ballast	2 x integrated electronic dimmable
dimming	phase-cut
insulation class	1
IP classification	IP20
certifications	CE
design	Luta Bettonica, Mario Melocchi, 2013

light source	
sorgente	LED
number of LED	2
power	2 x 26W
CRI	= 95
flux	2 x 2.400 lm
colour temperature	2.800K
	available at 3.000K / 3.500K / 4.000K
	for orders ≥ 5 pieces

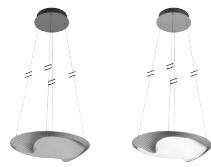
energy label



## finishes



white  
cod 235H



colour on demand  
monocolour  
bicolour

## versions



**Sestessa**  
cabrio  
led cob  
white  
cod 234H



**Sestessa**  
plafone  
led cob  
white  
cod 237H



**Sestessa**  
semincasso  
led cob  
white  
cod 236H