

Naomi Terra



Design: Yaacov Kaufman, 1998



Floor lamp in aluminium alloy with a base in steel and aluminium.
Extensible and totally pivoting arm; diffuser head can rotate by 360°.

Finishing

Standard

Special



Black soft touch
cod. 30501ST00



Anodised aluminium
cod. 3050800

All RAL coating and galvanic finishes available upon request

Light emission

- Light emission: diffuse
- Light direction: downlight
- Light source: MAX 75W HAL - E27 / E26

- Included bulb: 8,5W LED 3000K - E27

Electrical Facts

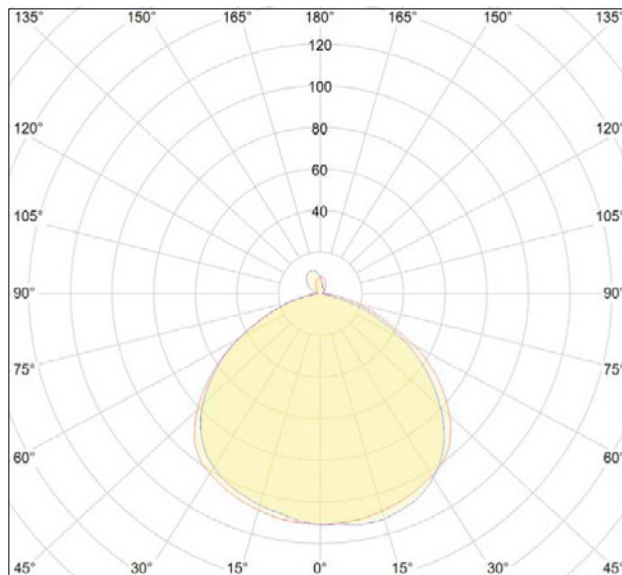
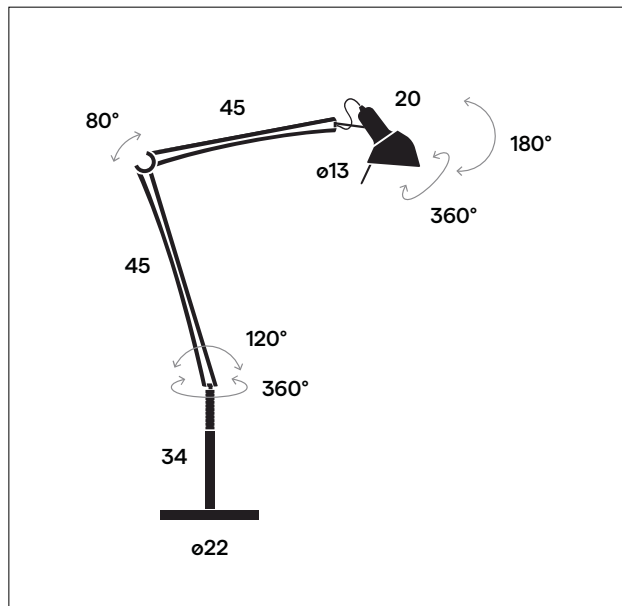
- Power absorption: MAX 75W
- Grid voltage: 100-240 V AC / 50-60 Hz
- Power supply: AC driven

- Dimmability: not dimmable
- Energy class: A++ (with provided LED bulb)

Technical data

- Environment: indoor
- Placement: floor
- Net weight: 0,95 Kg
- Certifications: CE

- Suggested ambient T: 25°C
- Maximum ambient T: 40°C
- Insulation class: II
- Protection class: IP20



Packaging
cardboard box
136 x 27 x 17 (cm)
0,055 m³

Gross weight
2,9 Kg