

TECHNICAL DETAILS

Daphinette Portatile

Tommaso Cimini | 1978



Battery table lamp made of steel and aluminium with an adjustable, pivoting arm. The head can rotate 360°. The light source is a 2,5 W LED, controlled by a touch sensor on the base.

Finishing

Standard

 **Black soft-touch**
09P01ST00

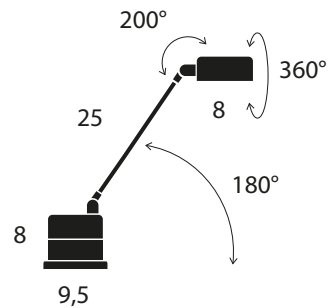
 **Matt white**
09P02OP00

 **Brushed nickel**
09P4400

Special

 **Metallic bronze**
09P29MT00

All RAL coating and galvanic finishes available upon request



Light emission

- **Light emission:** diffuse
- **Light direction:** downlight
- **Light source:** LED board
- **Source flux:** 240 lm
- **Emitted flux:** 194 lm
- **Efficacy:** 80 lm/W
- **CCT:** 3000 K
- **CRI index:** >90
- **Lifetime:** >50000h L70 @ 25°C

Operating time: 6h (100% power) - 22h (25% power)
Autosaving mode time (in addition to operating time): 2h (15% power)

Batteries : 2 x 18650 rechargeable LI-ION cells

Charging Time (0-100 %) : 5h

Electric facts

- **Source power:** 2,5 W
- **Power absorption:** 2,5 W
- **Stand-by absorption:** < 0,1 W
- **Dimmability:** internal touch dimmer
- **Energy class:** A++

Technical data

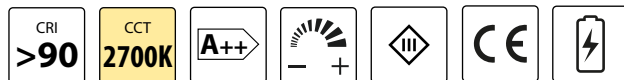
- **Environment:** indoor
- **Placement:** table/desk
- **Net weight:** 1,2 Kg
- **Certifications:** CE
- **Suggested ambient:** 25 °C
- **Maximum ambient T:** 40 °C
- **Insulation class:** III
- **Protection class:** IP20

Packaging

- **Material:** cardboard box
- **Dimensions:** 21 x 21 x 27 (cm)
- **Volume:** 0,012 m³
- **Gross weight:** 3 Kg (with USB-C wallmount adapter)

Daphinette Portatile


Tommaso Cimini | 1978



Battery table lamp made of steel and aluminium with an adjustable, pivoting arm. The head can rotate 360°. The light source is a 2,5 W LED, controlled by a touch sensor on the base.

Finishing

Standard

 **Black soft-touch**
09P01STK27

 **Matt white**
09P02OPK27

 **Brushed nickel**
09P44K27

Special

 **Metallic bronze**
09P29MTK27

All RAL coating and galvanic finishes available upon request

Light emission

- **Light emission:** diffuse
- **Light direction:** downlight
- **Light source:** LED board
- **Source flux:** 233 lm
- **Emitted flux:** 186 lm
- **Efficacy:** 80 lm/W
- **CCT:** 2700 K
- **CRI index:** >90
- **Lifetime:** >50000h L70 @ 25°C

Electric facts

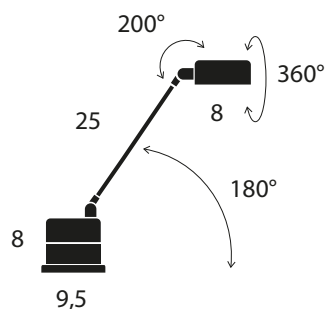
- **Source power:** 2,5 W
- **Power absorption:** 2,5 W
- **Stand-by absorption:** < 0,1 W
- **Dimmability:** internal touch dimmer
- **Energy class:** A++

Technical data

- **Environment:** indoor
- **Placement:** table/desk
- **Net weight:** 1,2 Kg
- **Certifications:** CE
- **Suggested ambient:** 25 °C
- **Maximum ambient T:** 40 °C
- **Insulation class:** III
- **Protection class:** IP20

Packaging

- **Material:** cardboard box
- **Dimensions:** 21 x 21 x 27 (cm)
- **Volume:** 0,012 m³
- **Gross weight:** 3 Kg (with USB-C wallmount adapter)



Operating time: 6h (100% power) - 22h (25% power)
Autosaving mode time (in addition to operating time): 2h (15% power)
Batteries : 2 x 18650 rechargeable LI-ION cells
Charging Time (0-100 %) : 5h