



SWING

IP GRADE
55

MATERIALS
Tuscan maiolica, blown glass,
metal-aluminium components.
Maiolica toscana, vetro
soffiato, componenti in metallo e
alluminio.

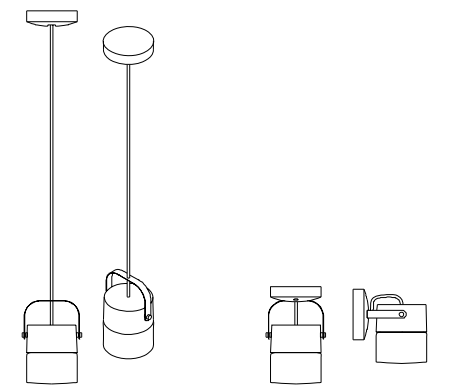
COLOURS IN PHOTO
cactus 81
stone matt 82
orange matt 80

COLOUR CHART
(3)

ELECTRIC CABLE
OUTDOOR/ESTERNO
neoprene

METAL
Alluminio anodizzato ALL
/ Anodised aluminum

GLASS
bianco
trasparente
whisky
acqua



ARTICLE	1010S	1012
DIMENSIONS	base Ø 130 glass Ø 130 h 250 tot.h.max 1500	base Ø 130 glass Ø 130 h 280/depth 220
POWER	1 x E27 max 15w (max Ø 60 h. 105 mm)	1 X E27 max 15 w (max Ø 60 h. 105 mm)