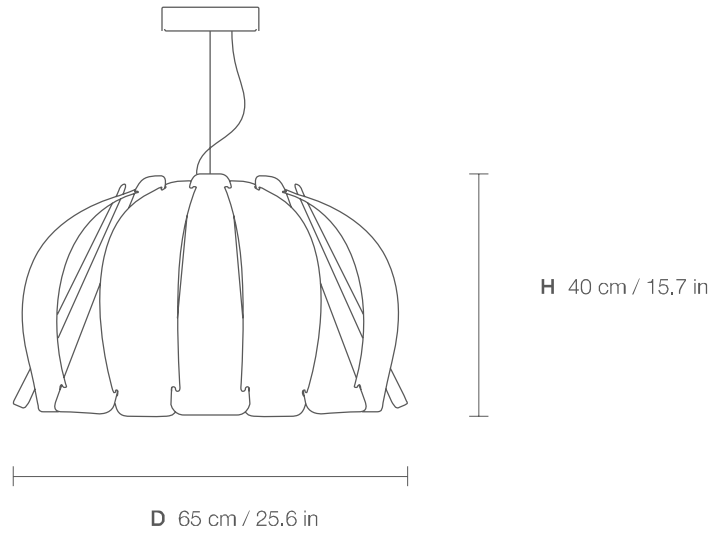
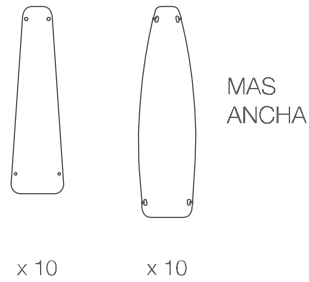
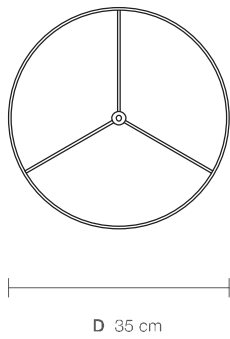


ISABEL 65

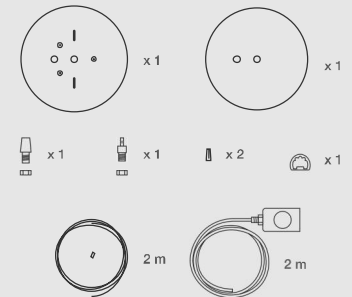
DIMENSIONS



PARTS



ELECTRICAL KIT



CODE	IS65
TYPE	Pendant Lamp
MOUNTING	Ceiling rose and steel cord includes
CORD LENGHT	2 m. / Textile cable
BULB	100 watts (max) / Bulb Socket E26 / E27 x 1
WEIGHT	2.5 kg. / 5.51 lbs.